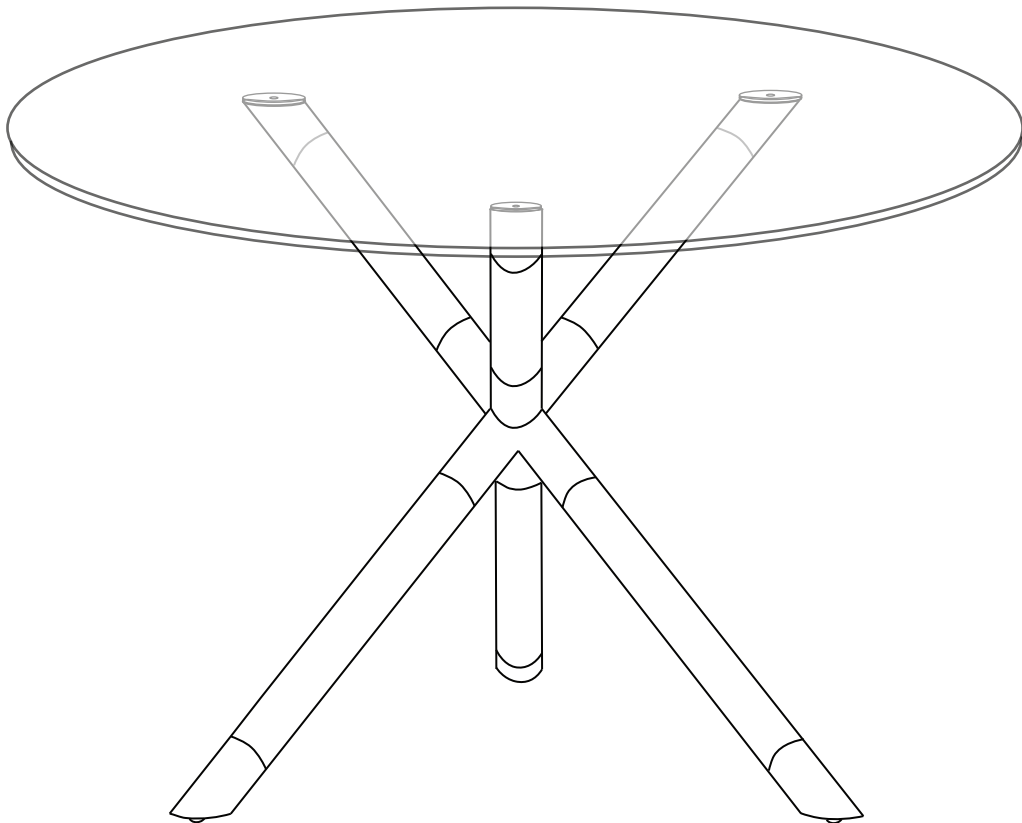




ELLA+ROSS

Assembly Instructions



ADONIS

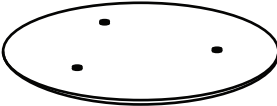
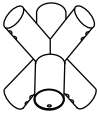
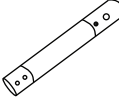
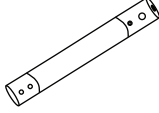

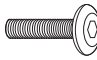

Dining Table

ASSEMBLY INSTRUCTIONS

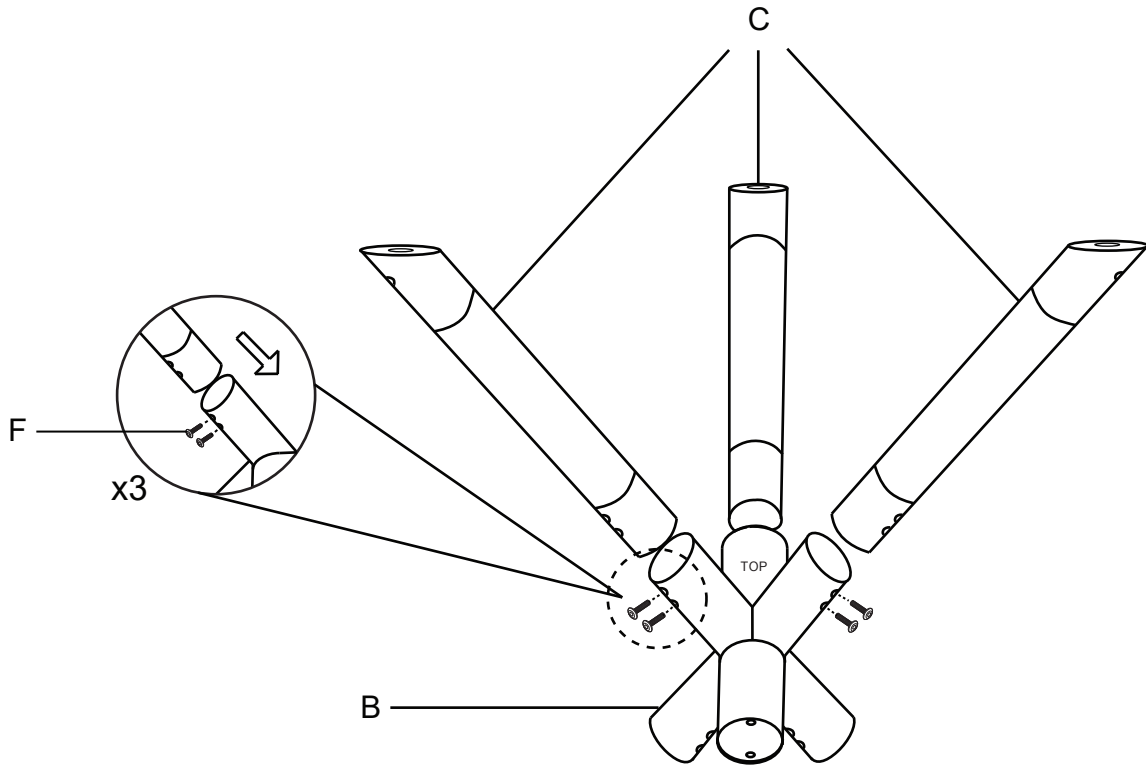
Please read the instructions carefully before beginning assembly. Ensure that you have all parts before assembly.

Place all parts on a soft and flat surface that is free of any debris to prevent scratches.

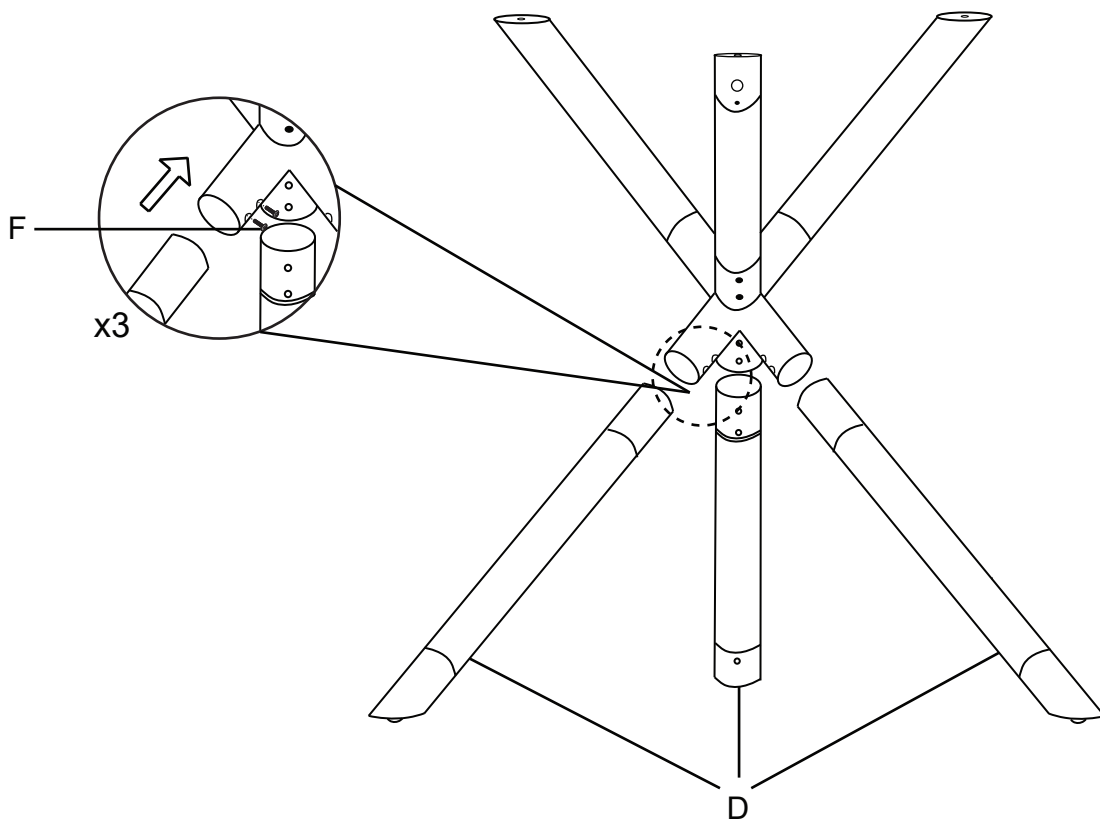
We're here to help - contact our Customer Service team by emailing cs@ellaandross.com for questions or concerns.

PARTS INVENTORY		
ID	DESCRIPTION	QTY
A	GLASS TOP 	1
B	CONNECTOR 	1
C	LEG - Small (top) 	3
D	LEG - Big (Bottom) 	3
E	SCREW - Small 	3
F	SCREWS 	12
G	ALLEN KEY 	1

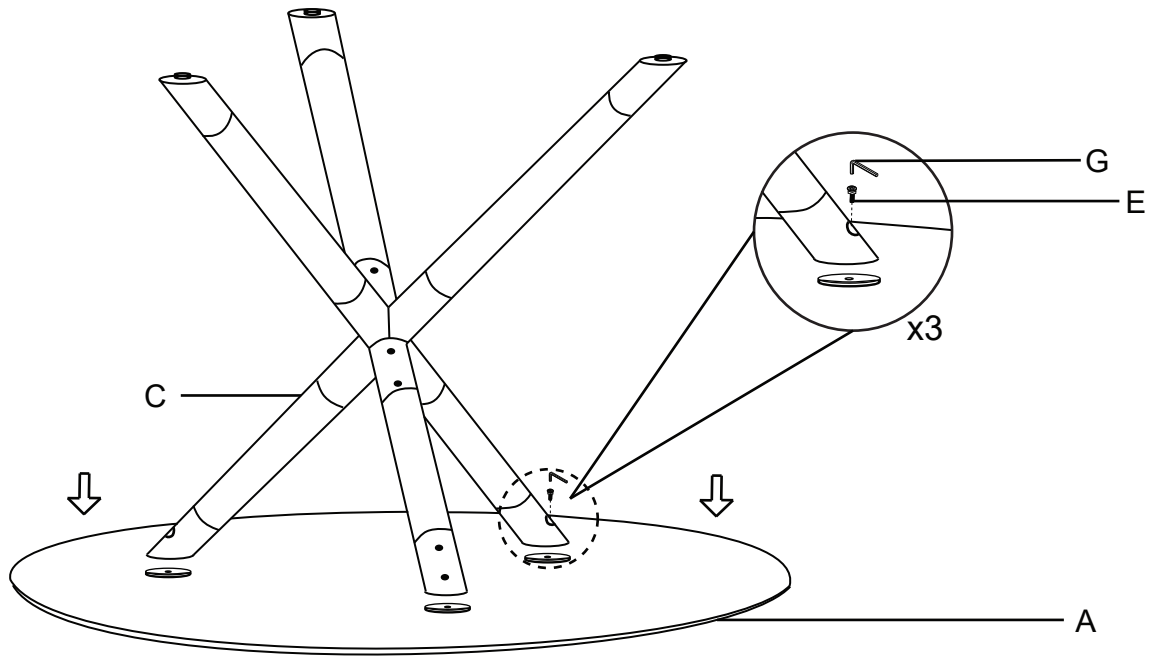
1



2



3



Place upside down on a soft surface.

Tighten all screws after completing step#3.

4

