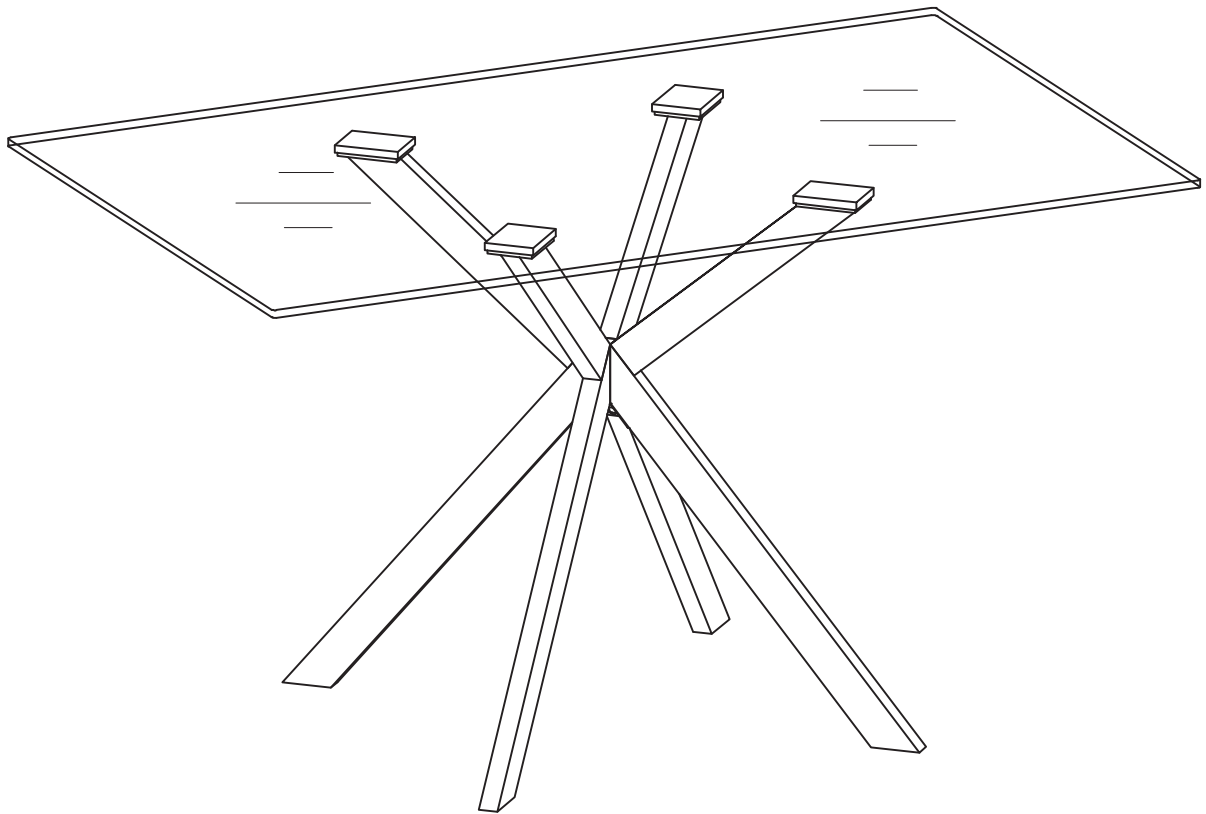


# Assembly Instructions



# ATLAS

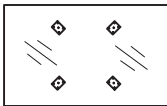
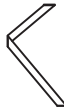
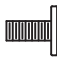





Dining Table

## ASSEMBLY INSTRUCTIONS

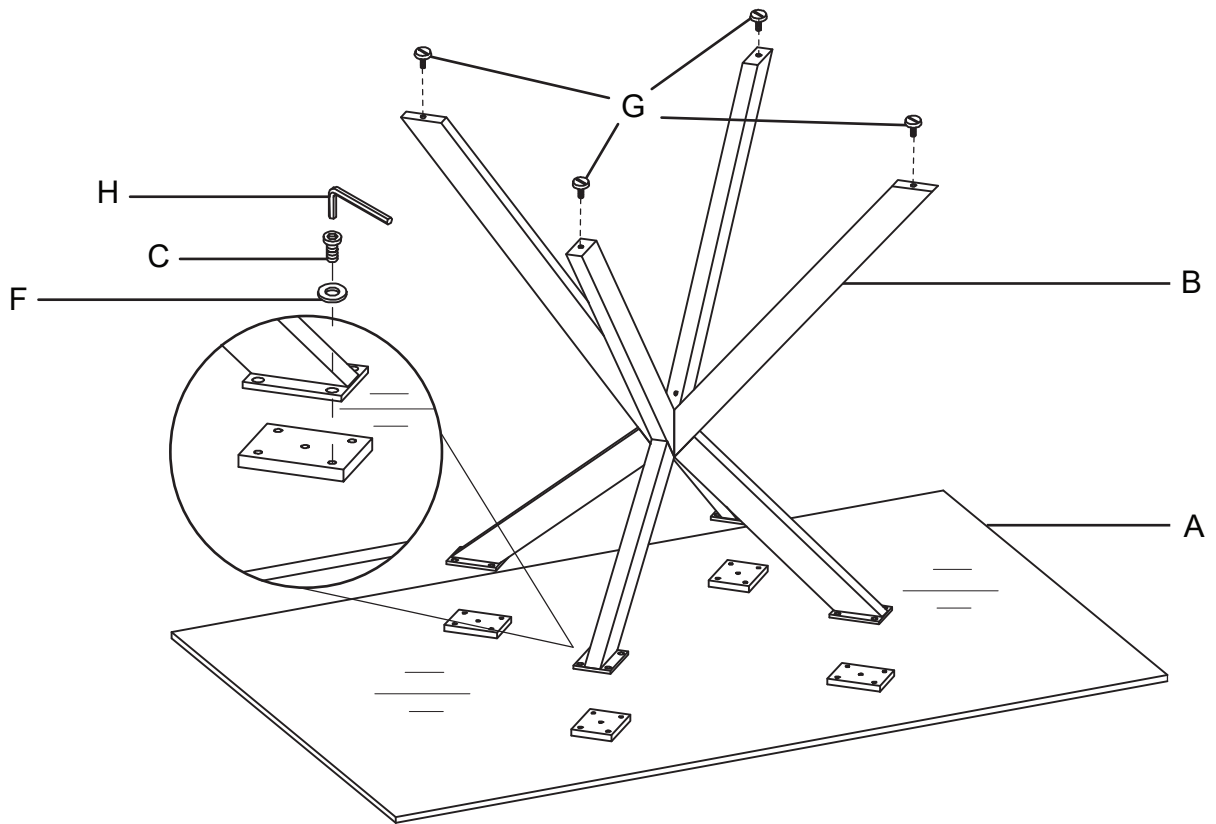
Please read the instructions carefully before beginning assembly. Ensure that you have all parts before assembly.

Place all parts on a soft and flat surface that is free of any debris to prevent scratches.

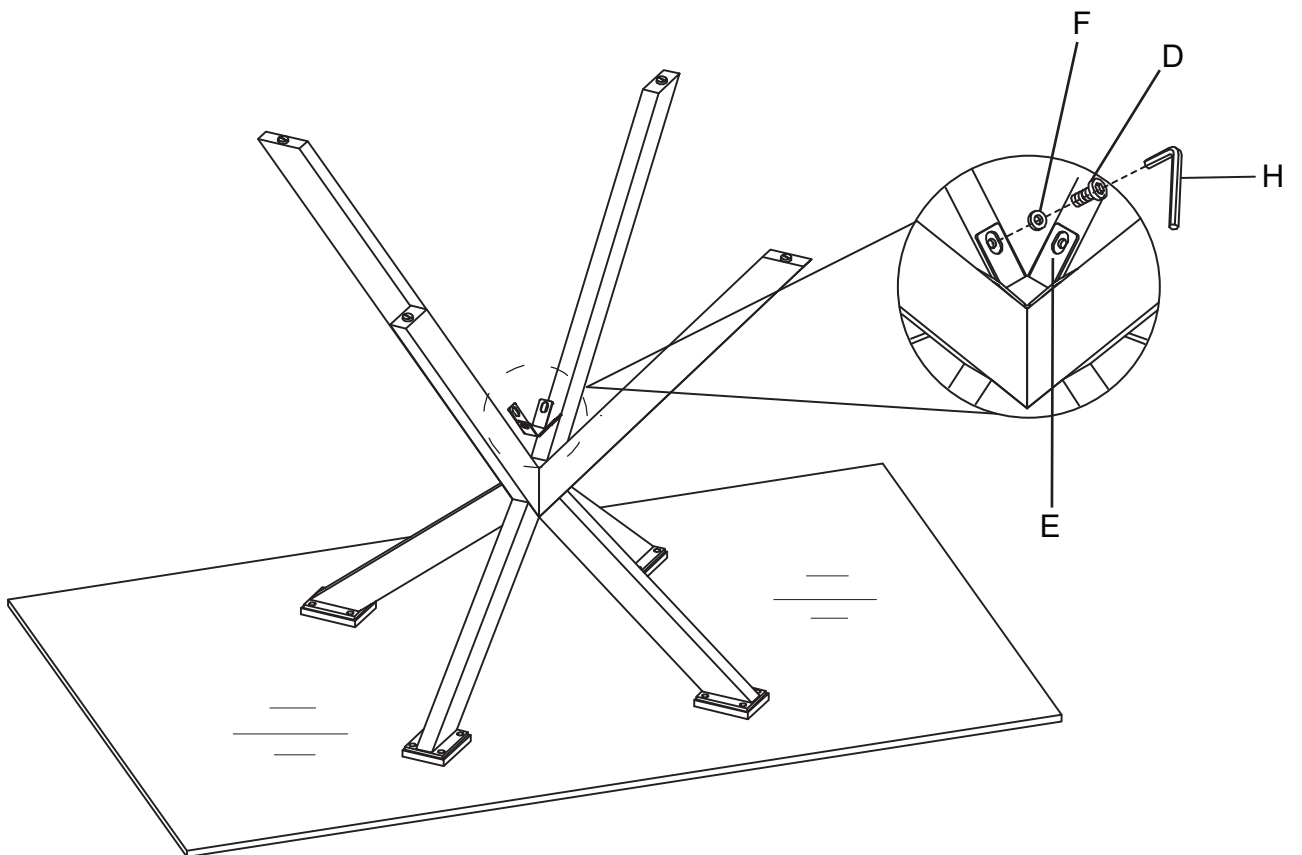
We're here to help - contact our Customer Service team by emailing [cs@ellaandross.com](mailto:cs@ellaandross.com) for questions or concerns.

PARTS INVENTORY		
ID	DESCRIPTION	QTY
<b>A</b>	GLASS TOP 	1
<b>B</b>	LEGS 	4
<b>C</b>	SCREW - Small 	16
<b>D</b>	SCREW - Big 	4
<b>E</b>	CONNECTOR 	4
<b>F</b>	WASHER 	20
<b>G</b>	LEG BASE SCREWS 	4
<b>H</b>	ALLEN KEY 	1

1



2



3

---

