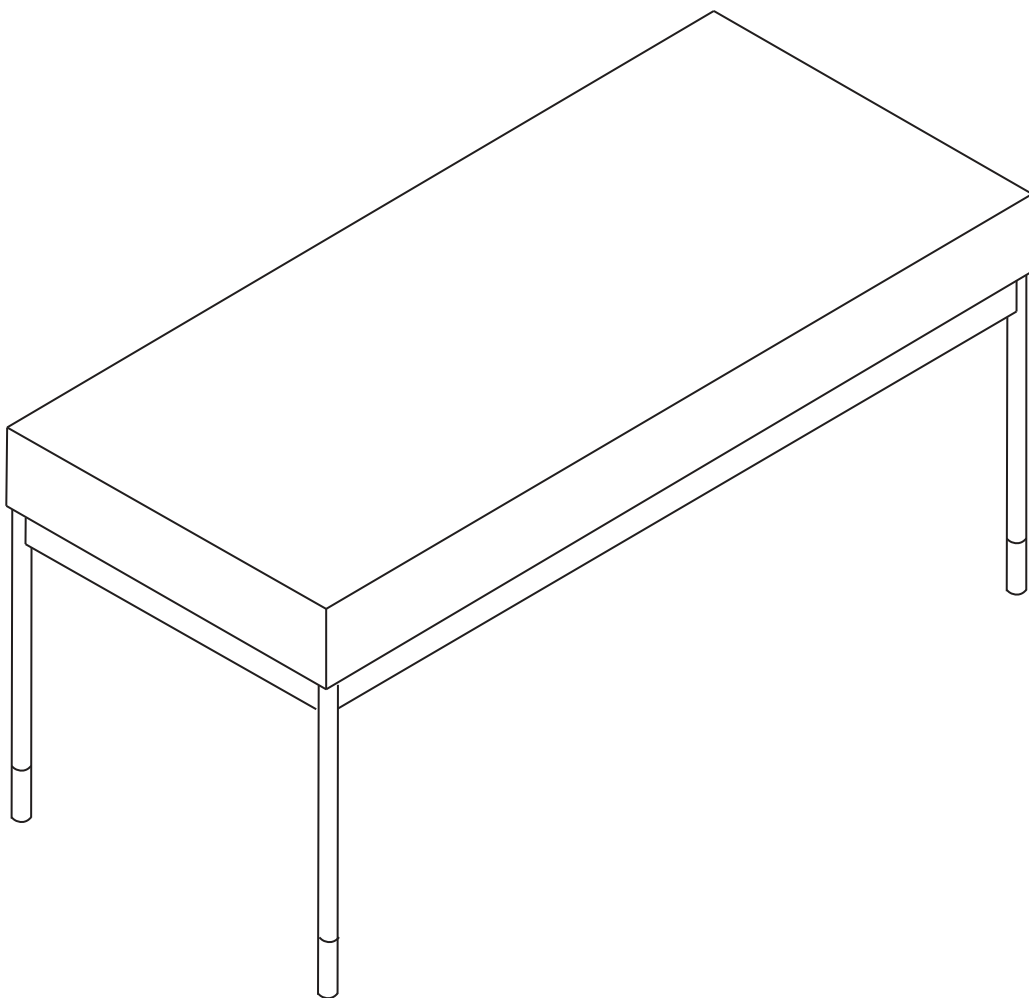




ELLA+ROSS

Assembly Instructions



BARLOW

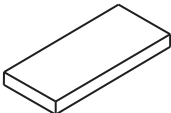
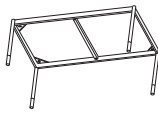


Bench

ASSEMBLY INSTRUCTIONS

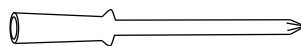
Please read the instructions carefully before beginning assembly. Ensure that you have all parts before assembly.

Place all parts on a soft and flat surface that is free of any debris to prevent scratches.

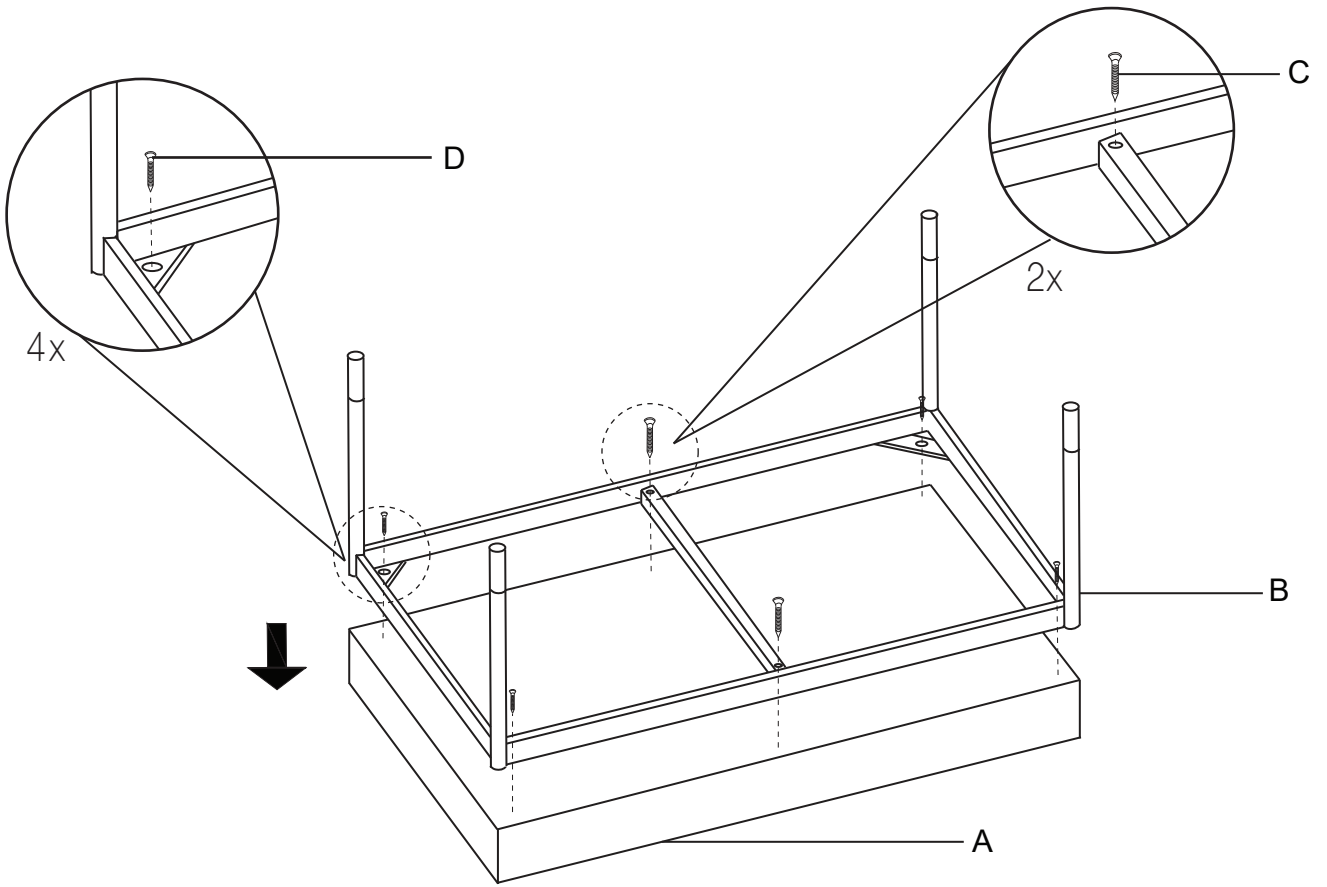
We're here to help - contact our Customer Service team by emailing cs@ellaandross.com for questions or concerns.

PARTS INVENTORY		
ID	DESCRIPTION	QTY
A	SEAT 	1
B	BASE 	1
C	SCREW - Big 	2
D	SCREW - Small 	4

NOTE : Screwdriver required for assembly.



1



2

