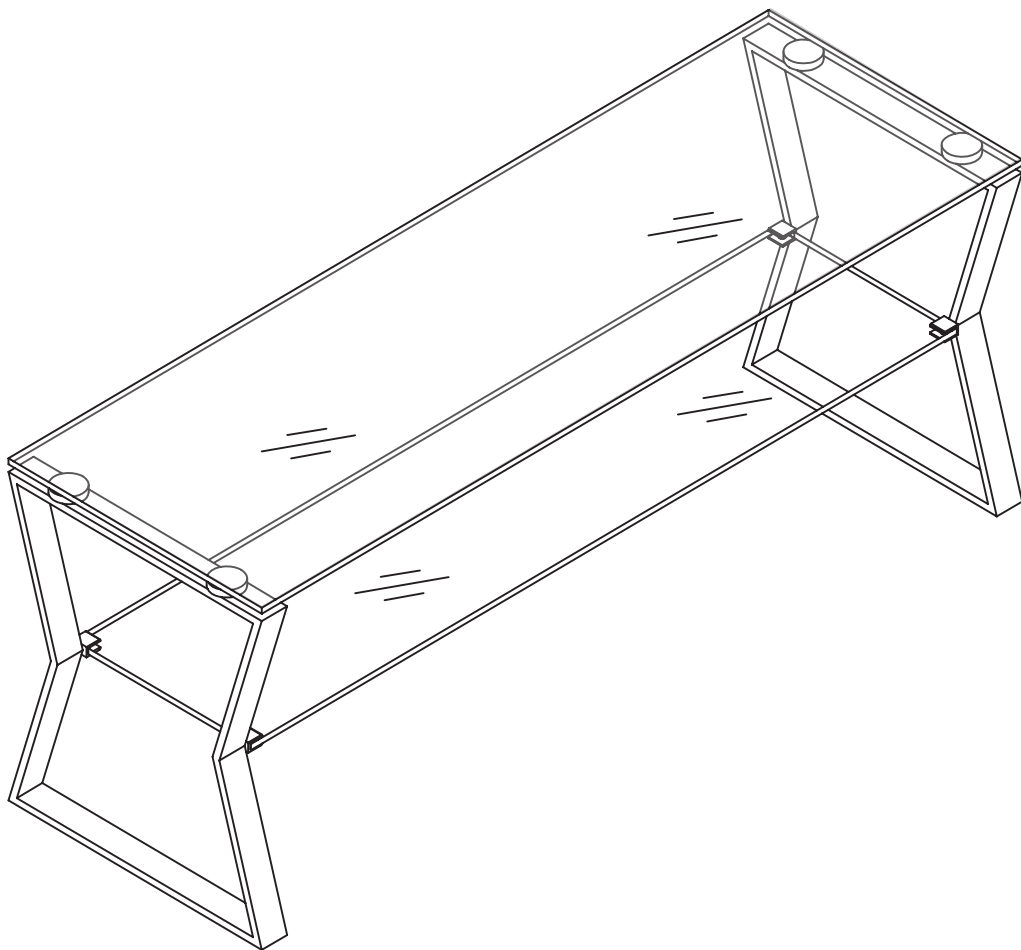




ELLA+ROSS

Assembly Instructions



CELTIC








TV Stand

ASSEMBLY INSTRUCTIONS

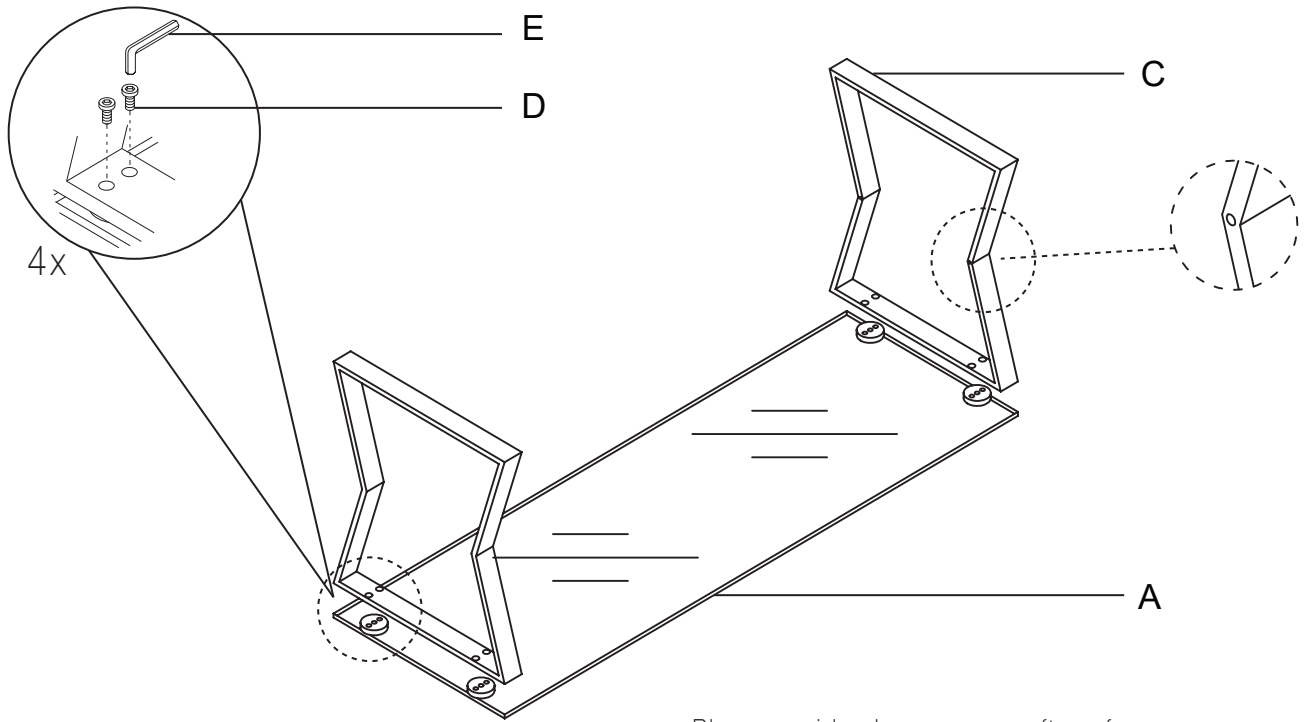
Please read the instructions carefully before beginning assembly. Ensure that you have all parts before assembly.

Place all parts on a soft and flat surface that is free of any debris to prevent scratches.

We're here to help – contact our Customer Service team by emailing cs@ellaandross.com for questions or concerns.

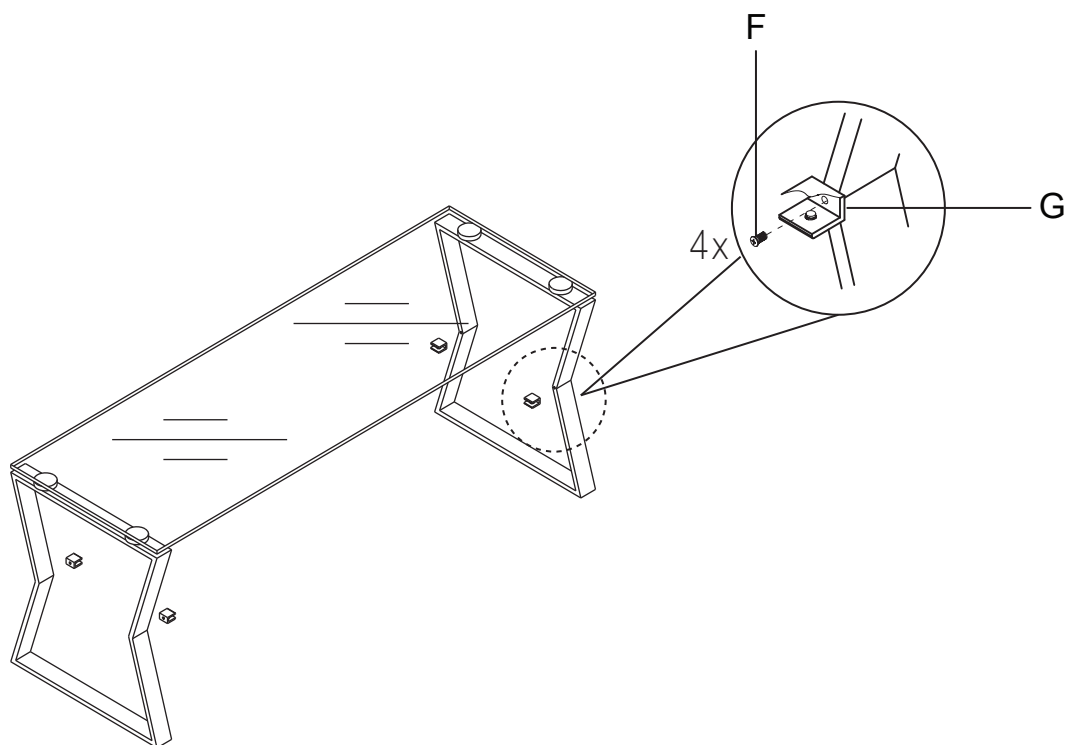
PARTS INVENTORY		
ID	DESCRIPTION	QTY
A	GLASS - TOP 	1
B	GLASS - BOTTOM 	1
C	SIDE FRAME 	2
D	SCREW - 1 	8
E	ALLEN-KEY 	1
F	SCREW - 2 	4
G	HOLDERS 	4

1

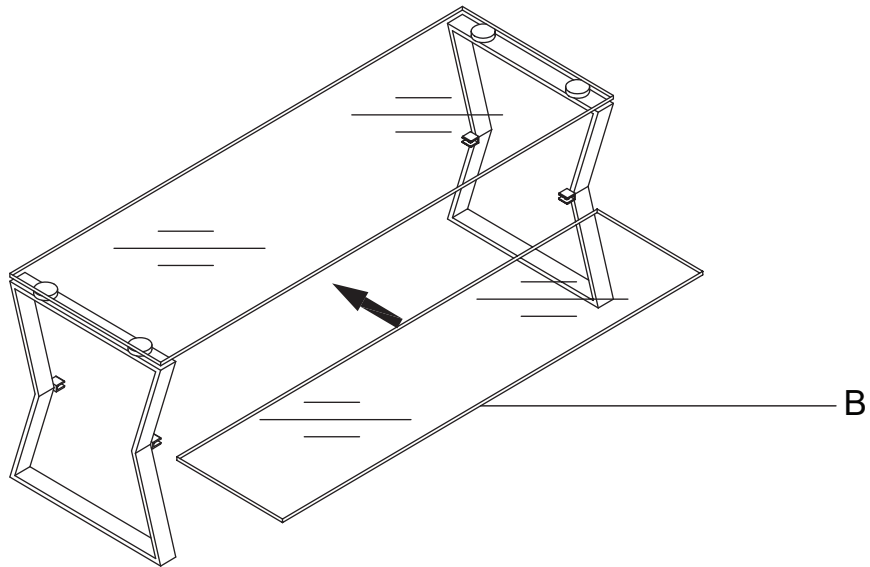


Place upside down on a soft surface.

2



3



4

