



ELLA+ROSS

Assembly Instructions



CHARLIE





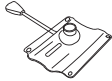

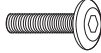


Office Chair

ASSEMBLY INSTRUCTIONS

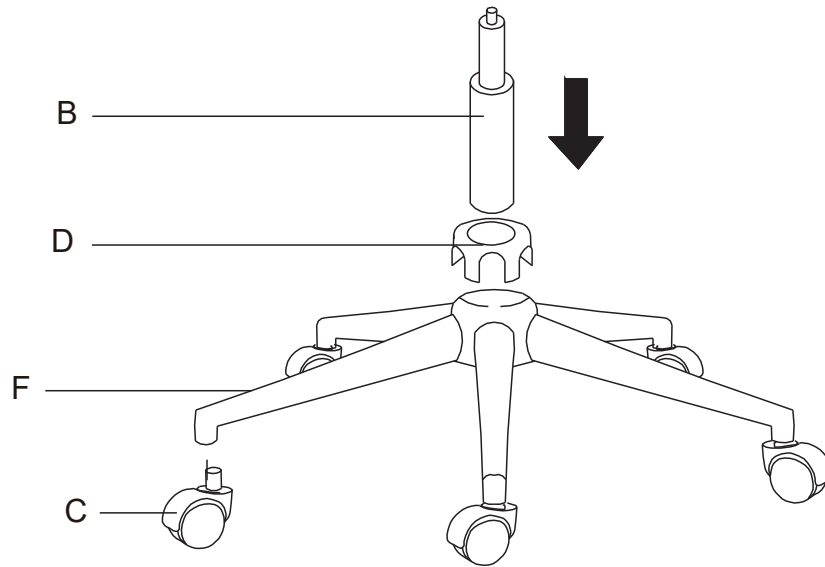
Please read the instructions carefully before beginning assembly. Ensure that you have all parts before assembly.

Place all parts on a soft and flat surface that is free of any debris to prevent scratches.

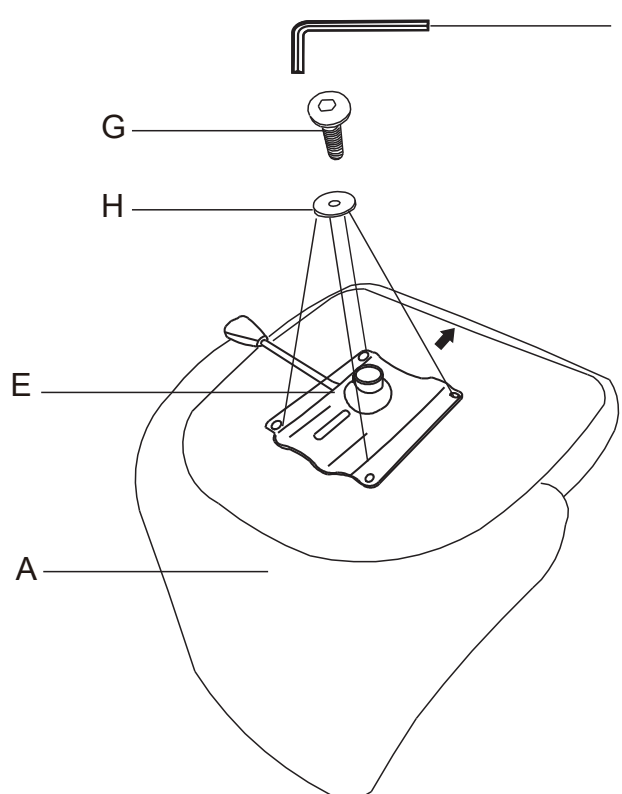
We're here to help - contact our Customer Service team by emailing cs@ellaandross.com for questions or concerns.

PARTS INVENTORY		
ID	DESCRIPTION	QTY
A	SEAT 	1
B	HYDRAULIC 	1
C	WHEEL 	5
D	BASE RING 	1
E	LEVER 	1
F	BASE 	1
G	SCREW 	4
H	WASHER 	4
I	ALLEN KEY 	1

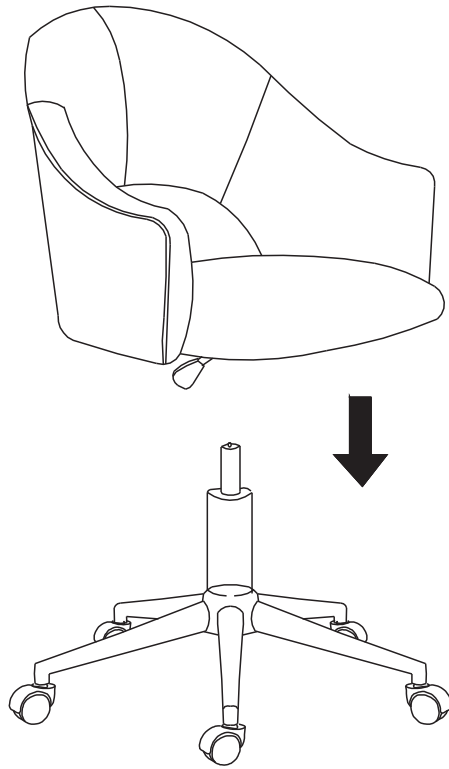
1



2



3



4

