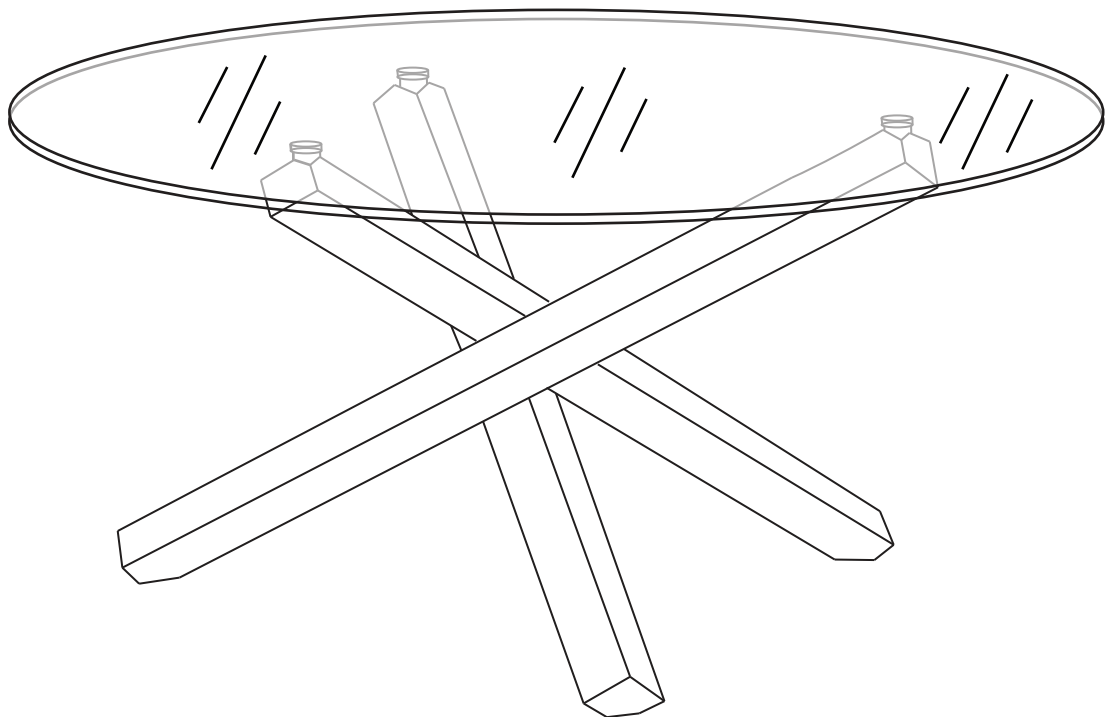




ELLA+ROSS

Assembly Instructions



CHESTER


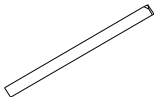








Dining Table

ASSEMBLY INSTRUCTIONS

Please read the instructions carefully before beginning assembly. Ensure that you have all parts before assembly.

Place all parts on a soft and flat surface that is free of any debris to prevent scratches.

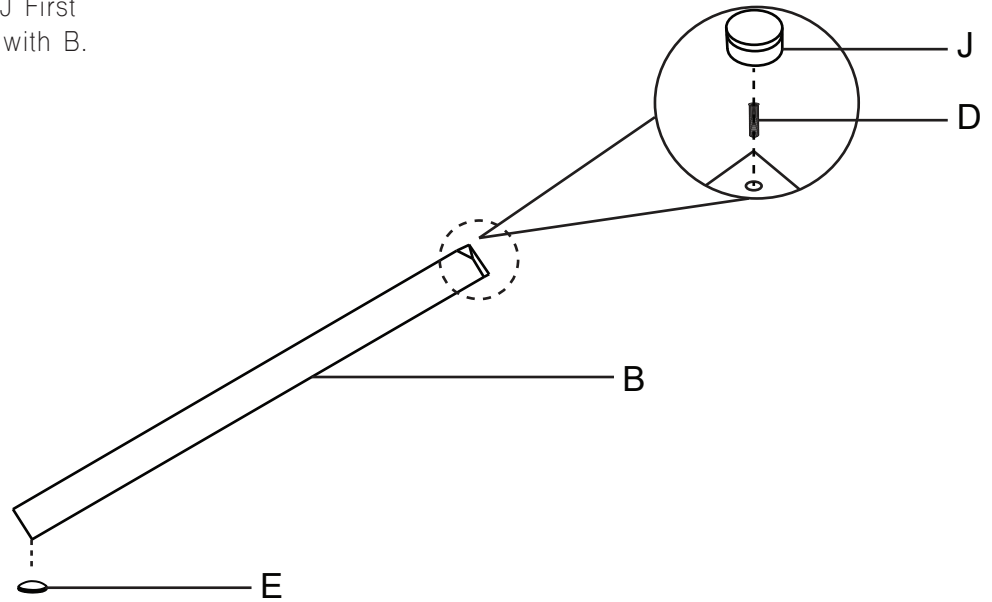
We're here to help - contact our Customer Service team by emailing cs@ellaandross.com for questions or concerns.

PARTS INVENTORY		
ID	DESCRIPTION	QTY
A	GLASS TOP 	1
B	LEGS 	3
C	SCREW - Big 	3
D	SCREW - Small 	3
E	BASE PROTECTOR 	3
F	SCREW - Mini 	3
G	ALLEN KEY - Small 	1
H	ALLEN KEY - Big 	1
I	CAP 	3
J	TOP CONNECTOR RINGS 	3

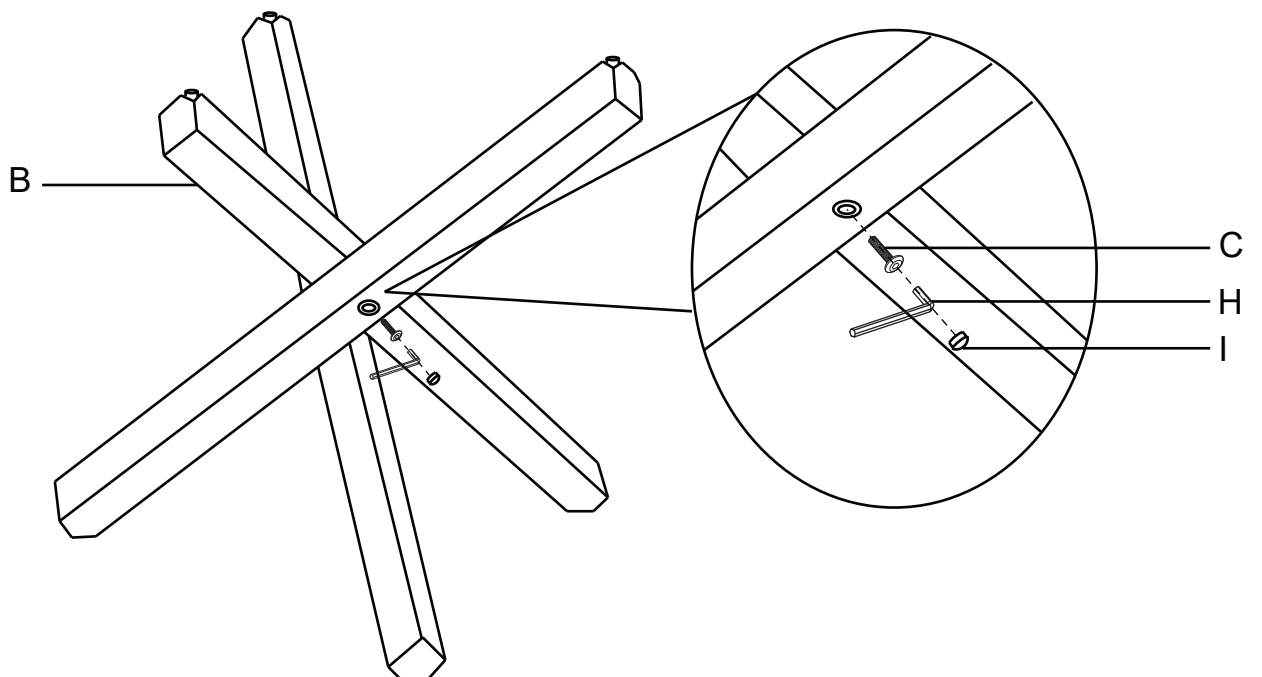
NOTE : Two people required for assembly.

1

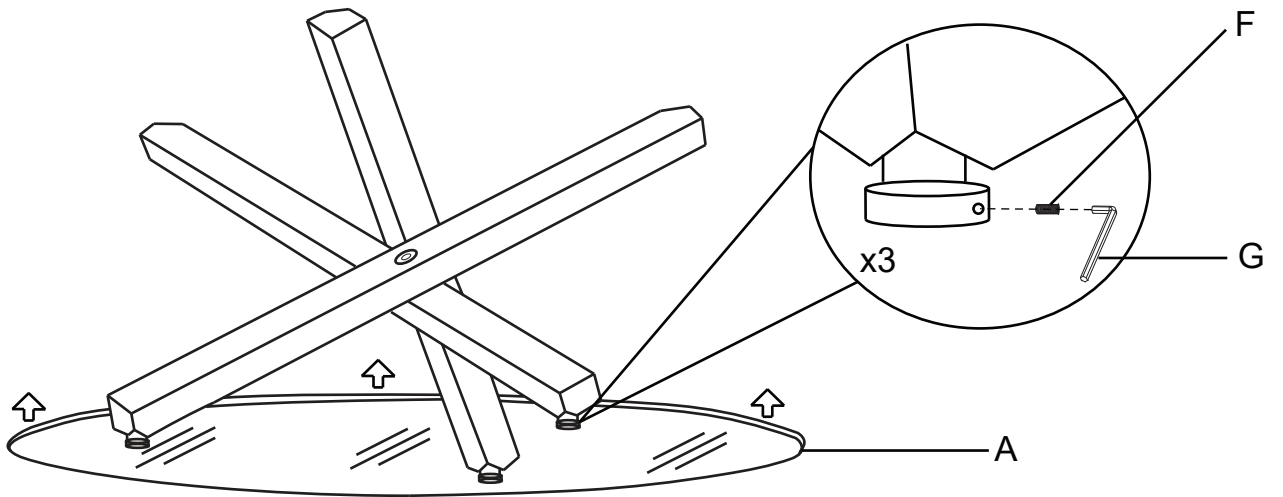
Assemble D & J First
then assemble with B.



2



3



Place upside down on a soft surface.

4

