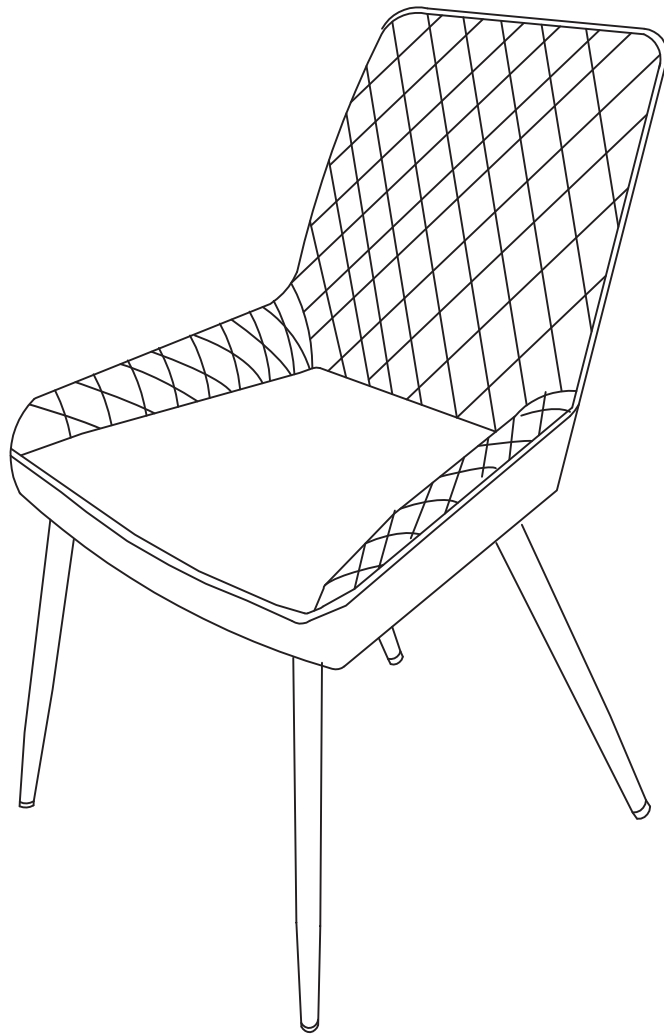




ELLA+ROSS

Assembly Instructions



ENDRICK


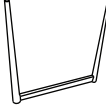
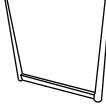




Dining Chair

ASSEMBLY INSTRUCTIONS

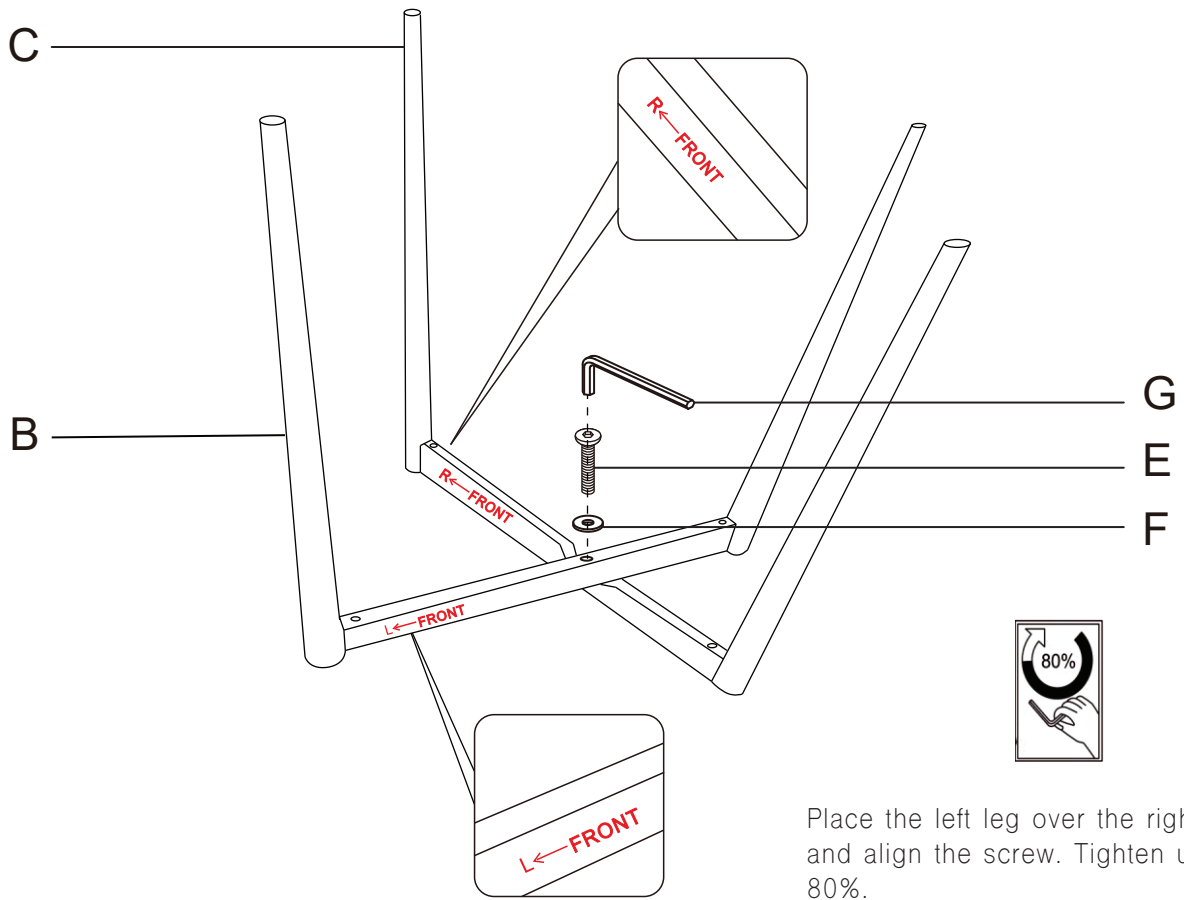
Please read the instructions carefully before beginning assembly. Ensure that you have all parts before assembly.

Place all parts on a soft and flat surface that is free of any debris to prevent scratches.

We're here to help - contact our Customer Service team by emailing cs@ellaandross.com for questions or concerns.

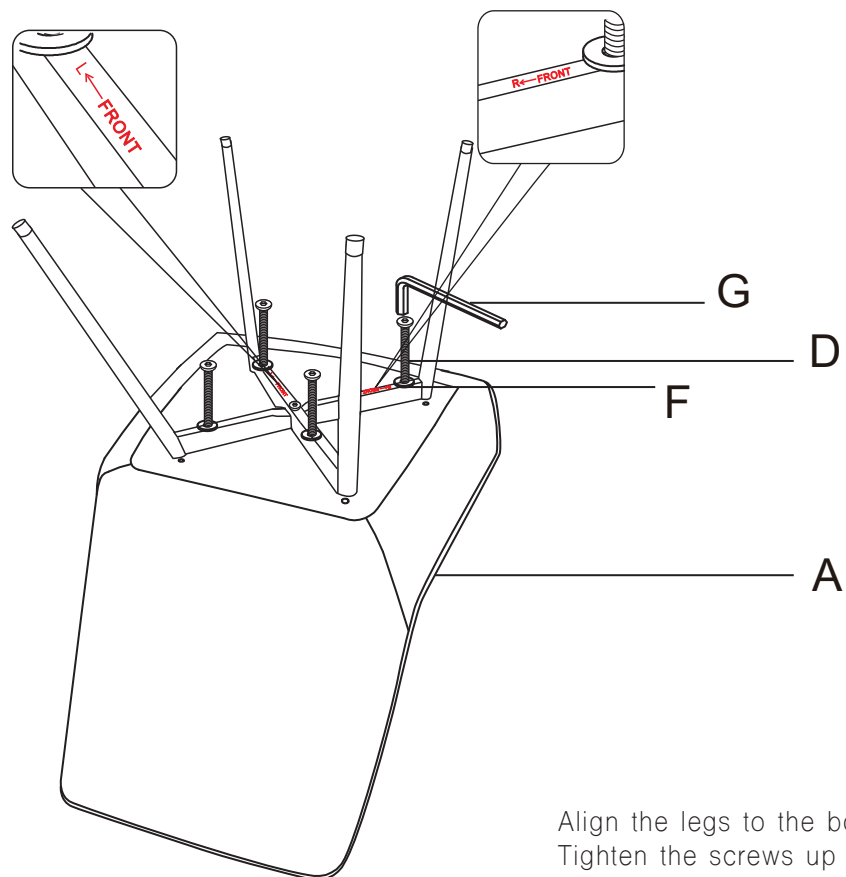
PARTS INVENTORY		
ID	DESCRIPTION	QTY
A	SEAT 	1
B	LEFT LEG 	1
C	RIGHT LEG 	1
D	LONG SCREW 	4
E	SHORT SCREW 	1
F	WASHER 	5
G	ALLEN KEY 	1

1



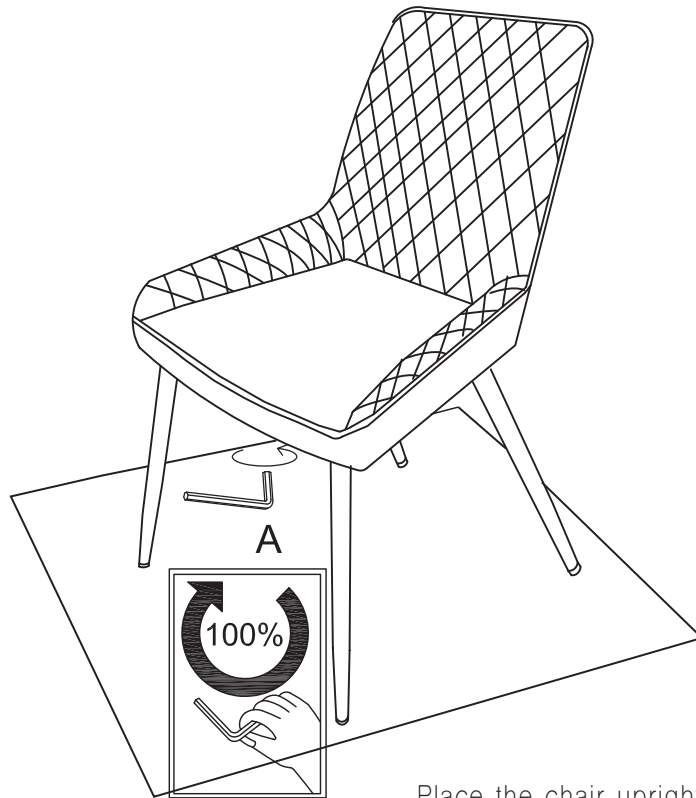
Place the left leg over the right leg and align the screw. Tighten up to 80%.

2



Align the legs to the bottom of the seat. Tighten the screws up to 90%.

3



Place the chair upright and adjust as necessary. Tighten all the screws completely to 100%.

4



Complete! Enjoy your new home addition.