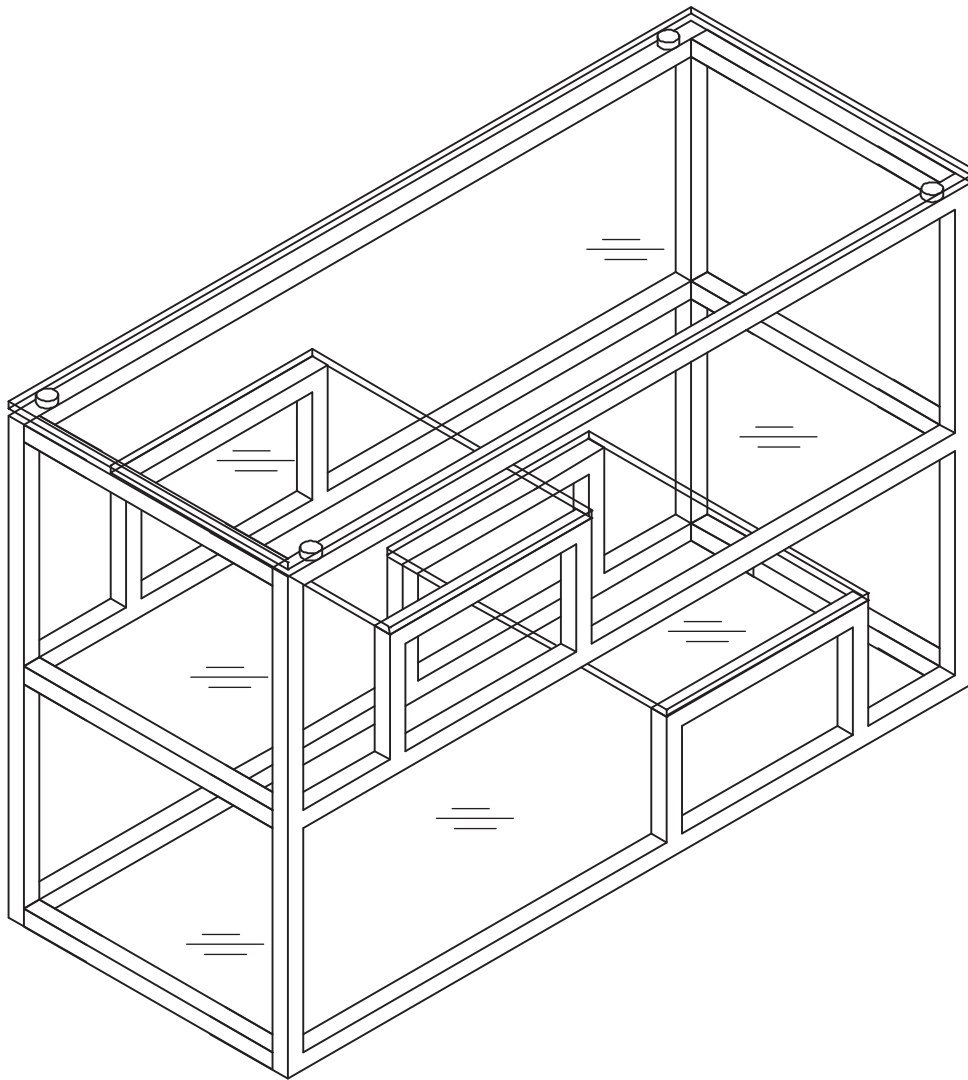




ELLA+ROSS

Assembly Instructions



GENEVA



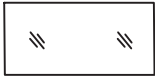
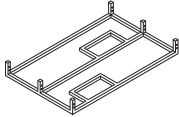
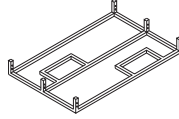





Console Table

ASSEMBLY INSTRUCTIONS

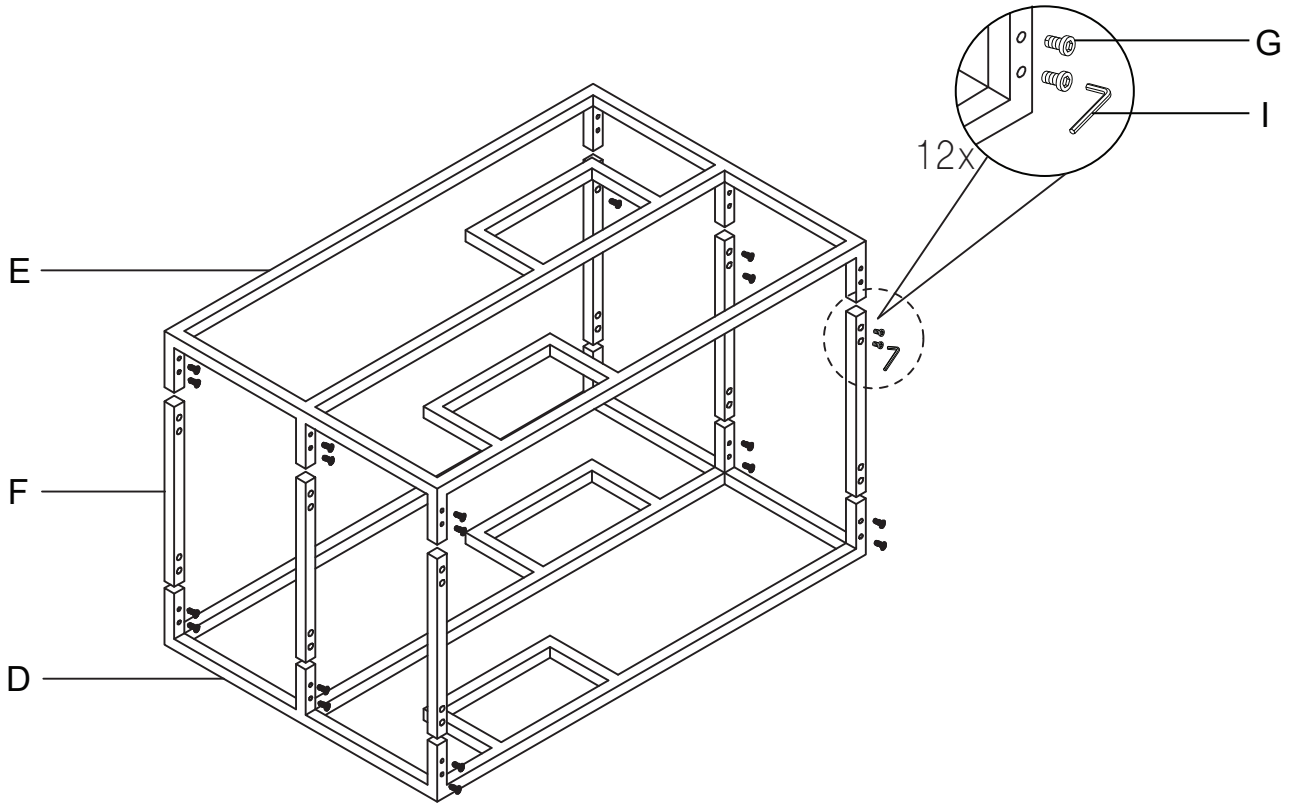
Please read the instructions carefully before beginning assembly. Ensure that you have all parts before assembly.

Place all parts on a soft and flat surface that is free of any debris to prevent scratches.

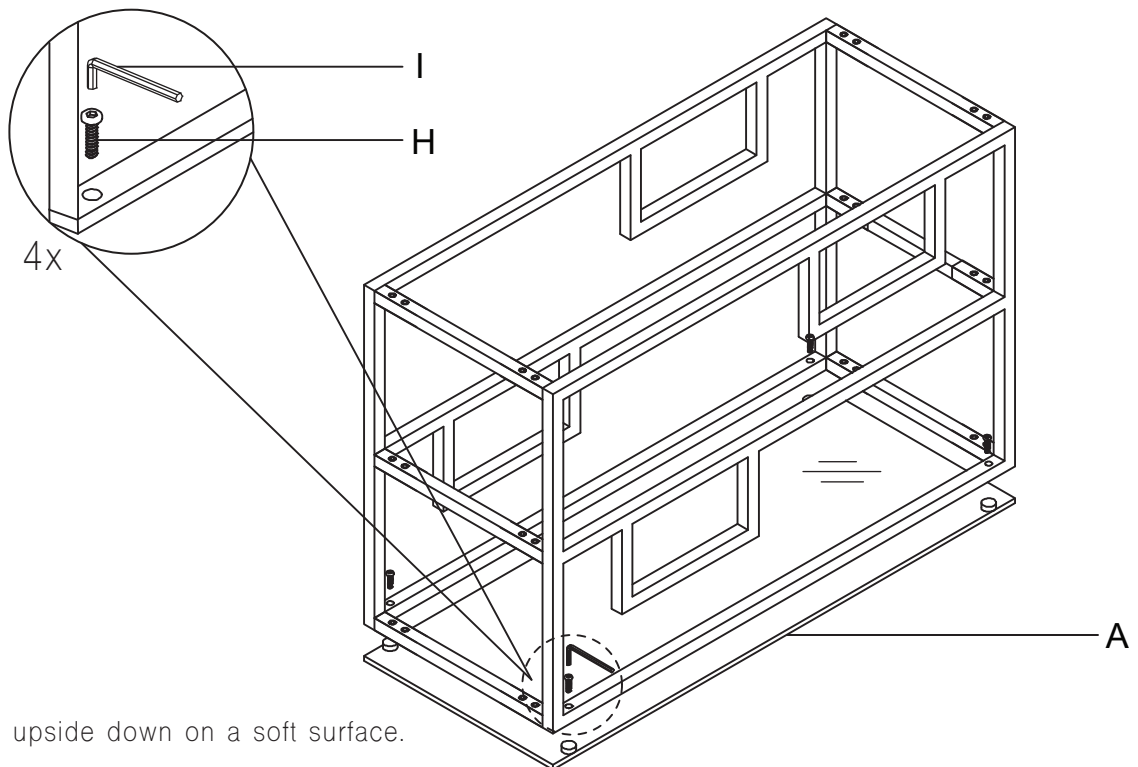
We're here to help - contact our Customer Service team by emailing cs@ellaandross.com for questions or concerns.

PARTS INVENTORY		
ID	DESCRIPTION	QTY
A	GLASS - Top 	1
B	GLASS 	2
C	GLASS - Small 	2
D	FRAME 1 	1
E	FRAME 2 	1
F	METAL RODS 	6
G	SCREW - Small 	24
H	SCREW - Big 	4
I	ALLEN - KEY 	1
J	ANTI-SLIP BUMPERS 	16

1

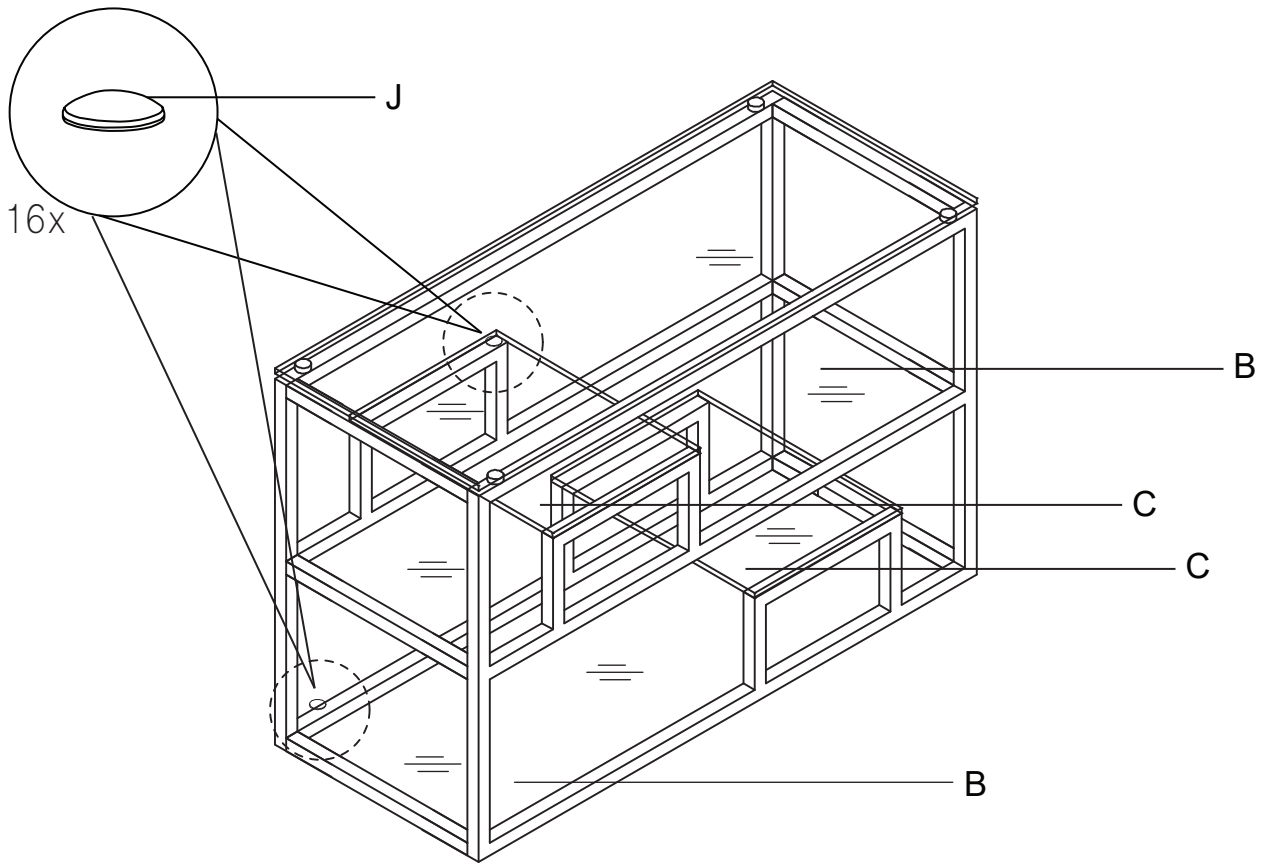


2



Place upside down on a soft surface.

3



4

