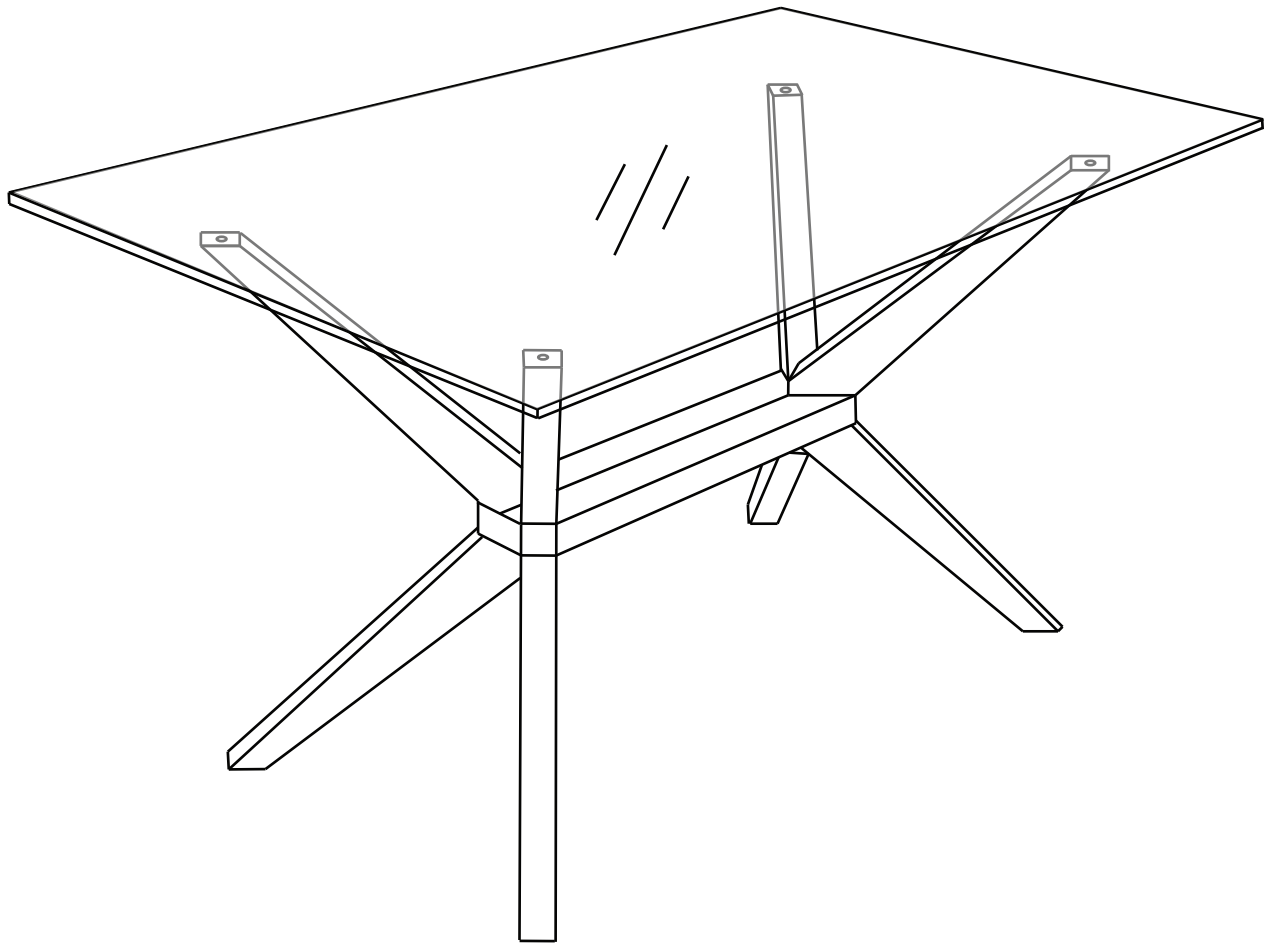




ELLA+ROSS

Assembly Instructions



MAVERICK

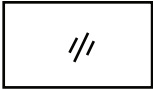
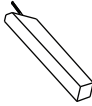
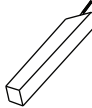
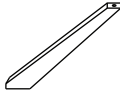
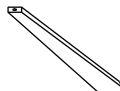
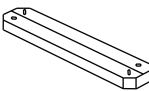




Wood Dining Table

ASSEMBLY INSTRUCTIONS

Please read the instructions carefully before beginning assembly. Ensure that you have all parts before assembly.

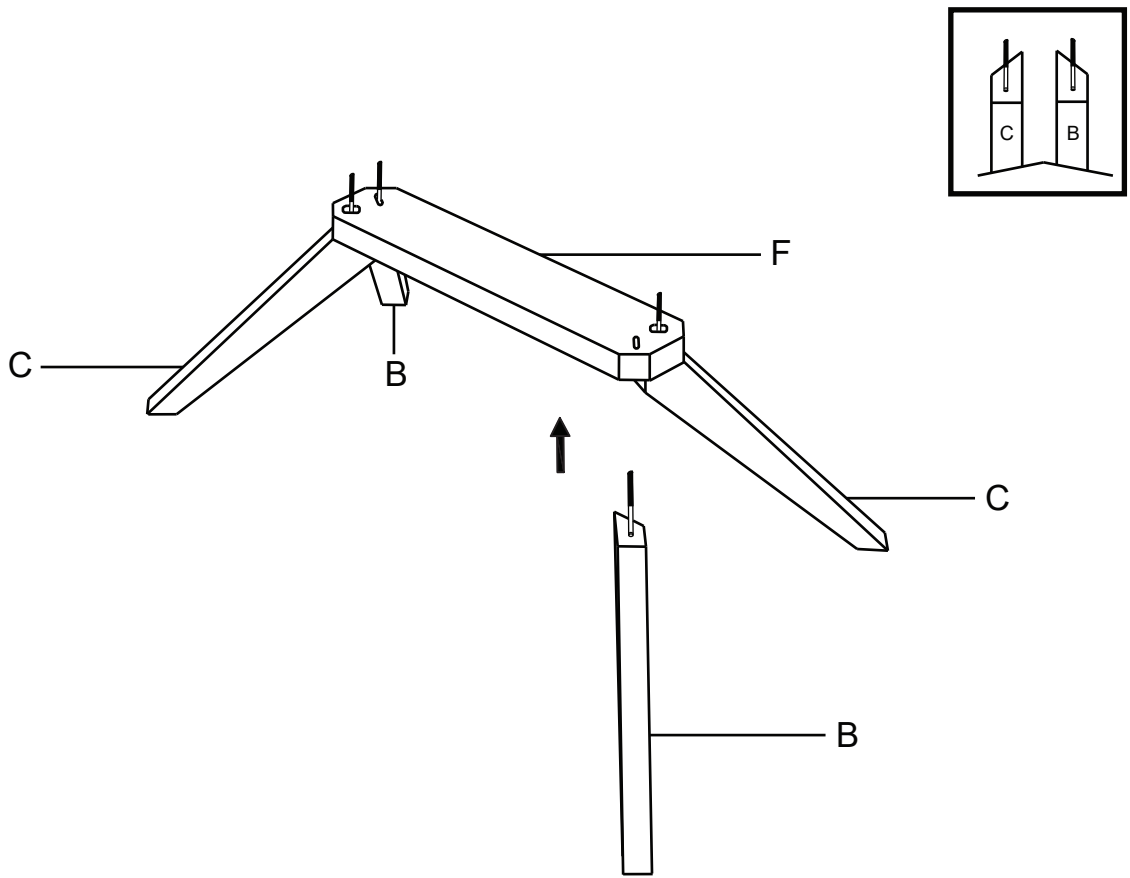
Place all parts on a soft and flat surface that is free of any debris to prevent scratches.

We're here to help - contact our Customer Service team by emailing cs@ellaandross.com for questions or concerns.

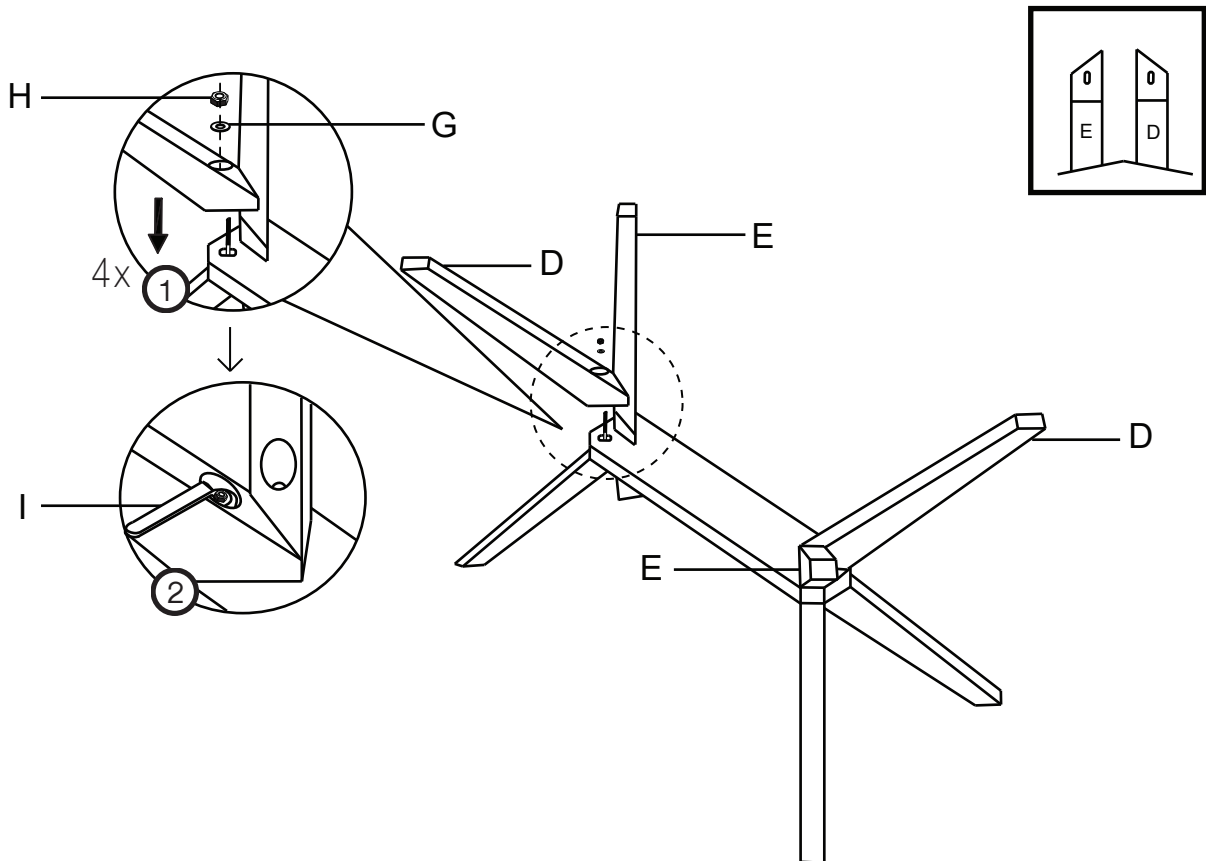
| PARTS INVENTORY | | |
|-----------------|--|-----|
| ID | DESCRIPTION | QTY |
| A | GLASS TOP  | 1 |
| B | LEG PART - 1  | 2 |
| C | LEG PART - 2  | 2 |
| D | LEG PART - 3  | 2 |
| E | LEG PART - 4  | 2 |
| F | LEG CONNECTOR  | 1 |
| G | WASHER  | 4 |
| H | NUT  | 4 |
| I | WRENCH  | 1 |
| J | ANTI - SLIP BUMPERS  | 4 |

NOTE : Two people required for assembly.

1

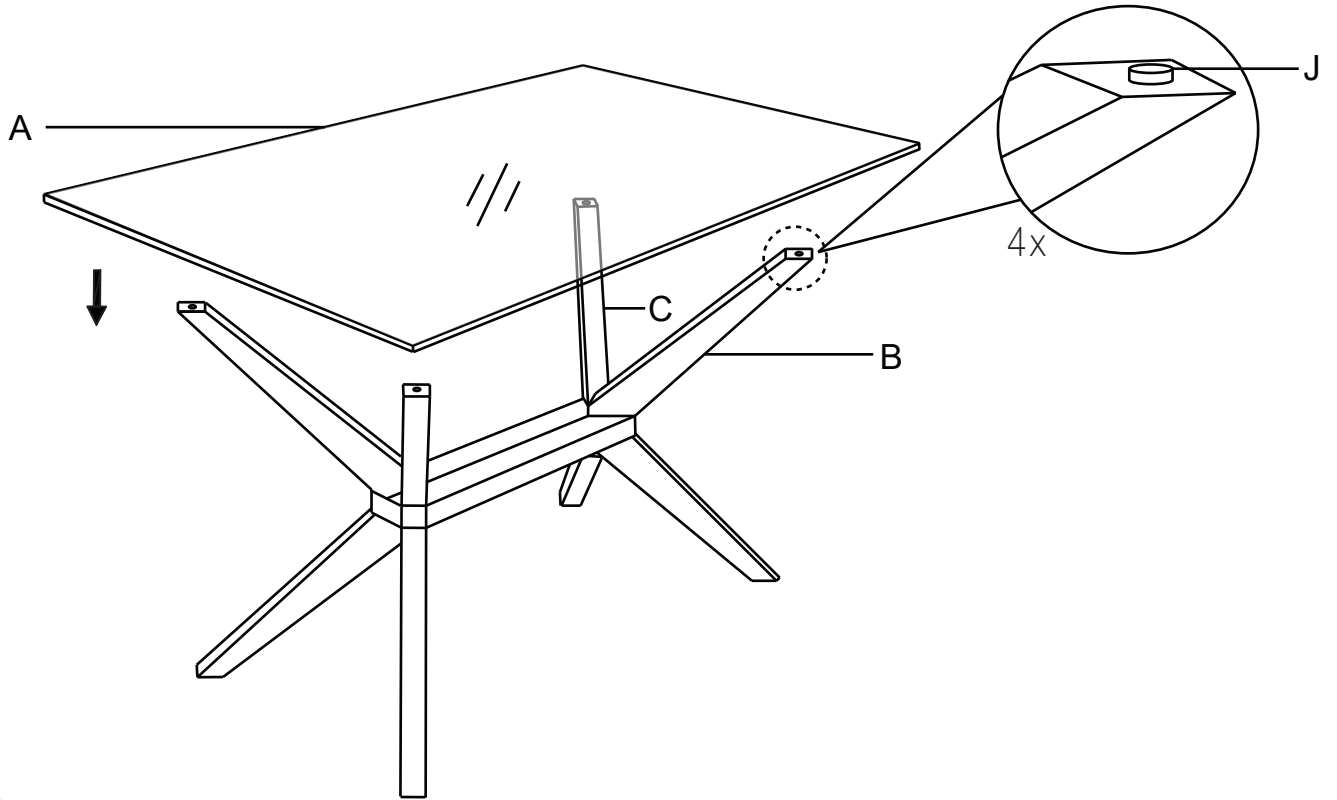


2



3

Once step 2 is complete, flip the table base so that leg parts B & C are facing the Top.



4

