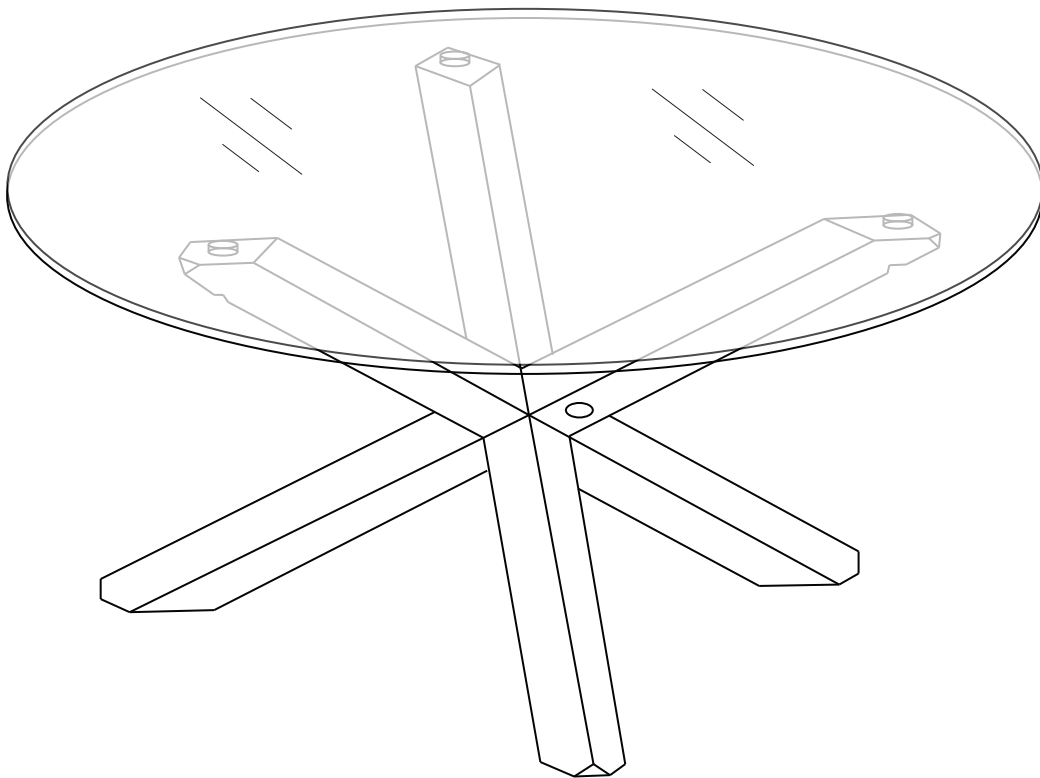




ELLA+ROSS

# Assembly Instructions



# TEEKS

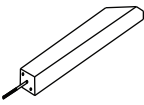
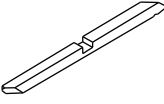
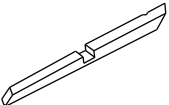
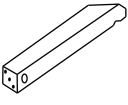







Wood Dining Table

## ASSEMBLY INSTRUCTIONS

Please read the instructions carefully before beginning assembly. Ensure that you have all parts before assembly.

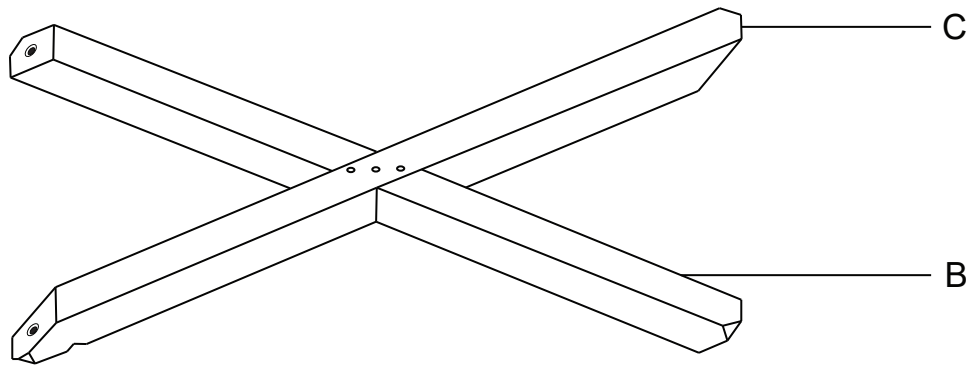
Place all parts on a soft and flat surface that is free of any debris to prevent scratches.

We're here to help - contact our Customer Service team by emailing [cs@ellaandross.com](mailto:cs@ellaandross.com) for questions or concerns.

PARTS INVENTORY		
ID	DESCRIPTION	QTY
<b>A</b>	LEG PART - 1 	1
<b>B</b>	LEG PART - 2 	1
<b>C</b>	LEG PART - 3 	1
<b>D</b>	LEG PART - 4 	1
<b>E</b>	GLASS TOP 	1
<b>F</b>	LEG CONNECTOR 	1
<b>G</b>	WASHER 	1
<b>H</b>	NUT 	1
<b>I</b>	WRENCH 	1
<b>J</b>	SCREW 	3
<b>K</b>	ALLEN KEY 	1

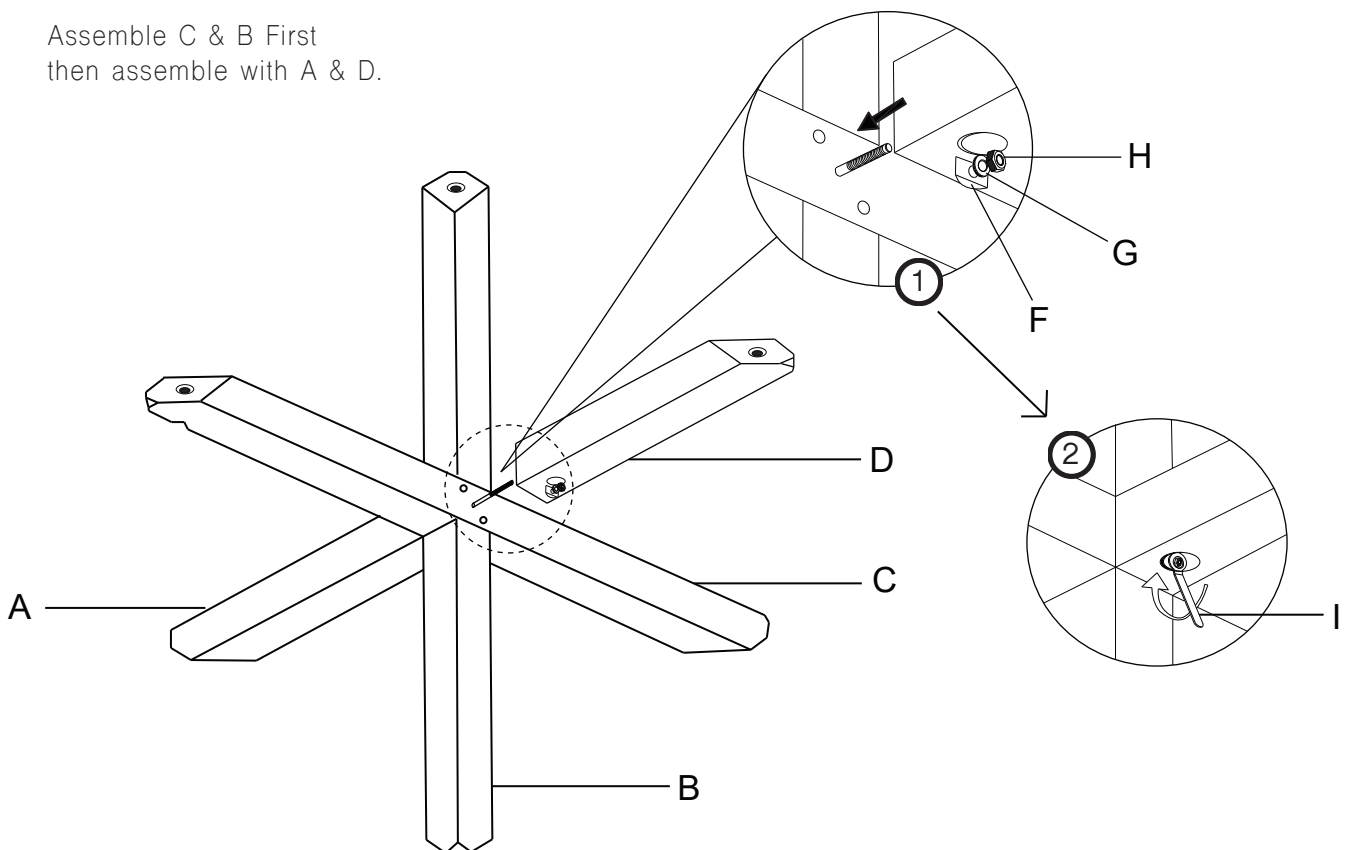
NOTE : Two people required for assembly.

1

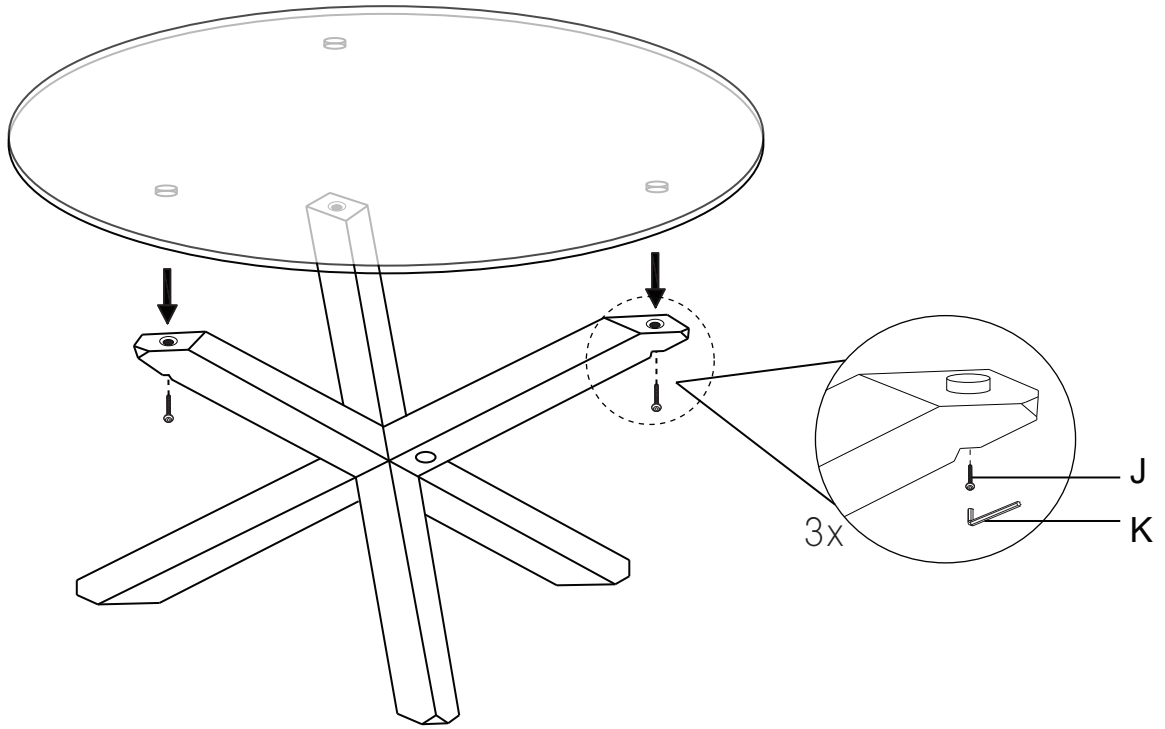


2

Assemble C & B First  
then assemble with A & D.



3



4

