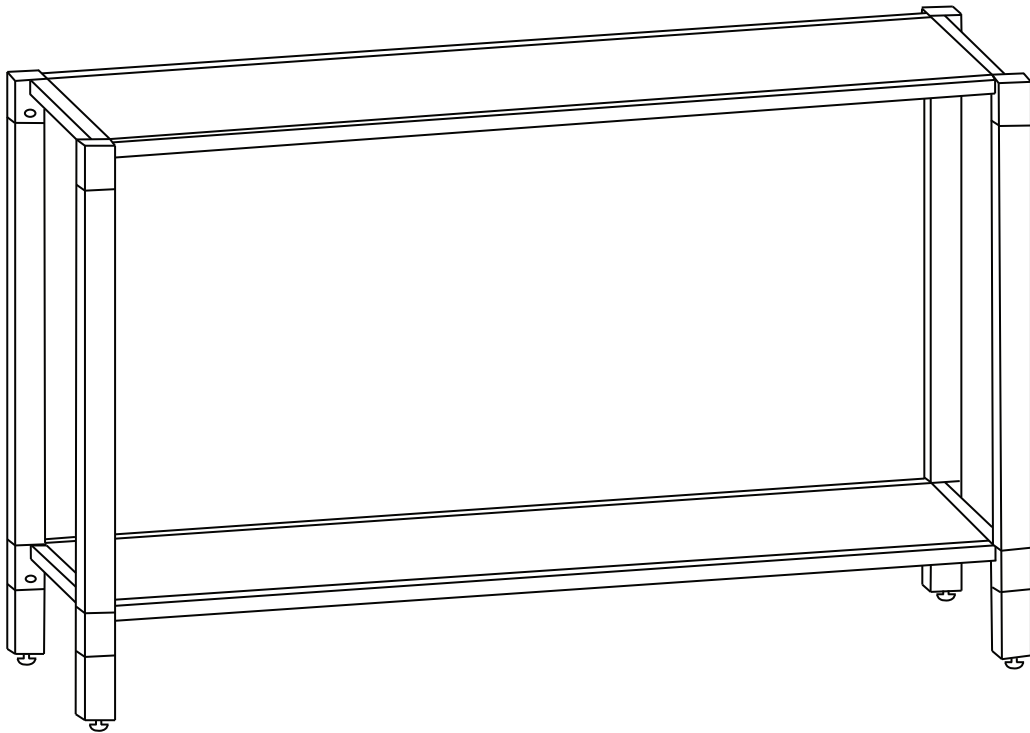




ELLA+ROSS

# Assembly Instructions



# TRUMAN



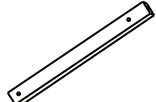



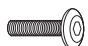

Acrylic Console Table

## ASSEMBLY INSTRUCTIONS

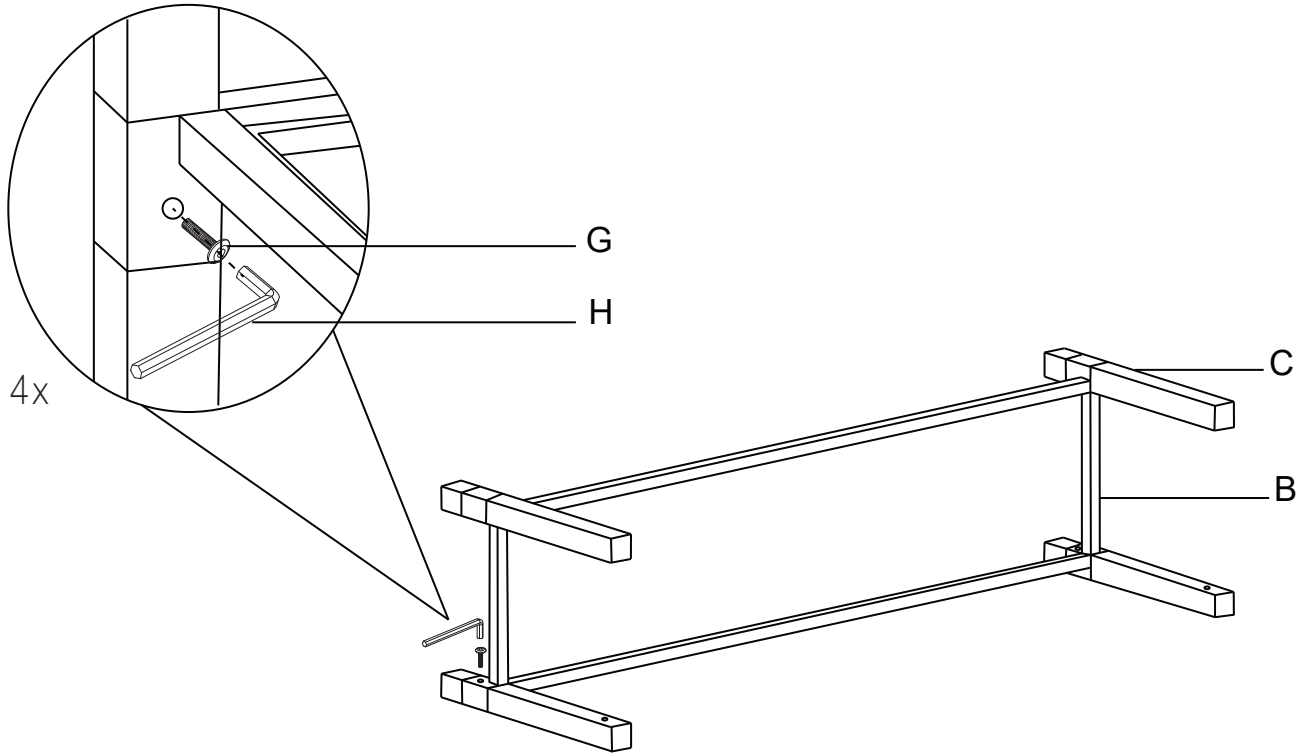
Please read the instructions carefully before beginning assembly. Ensure that you have all parts before assembly.

Place all parts on a soft and flat surface that is free of any debris to prevent scratches.

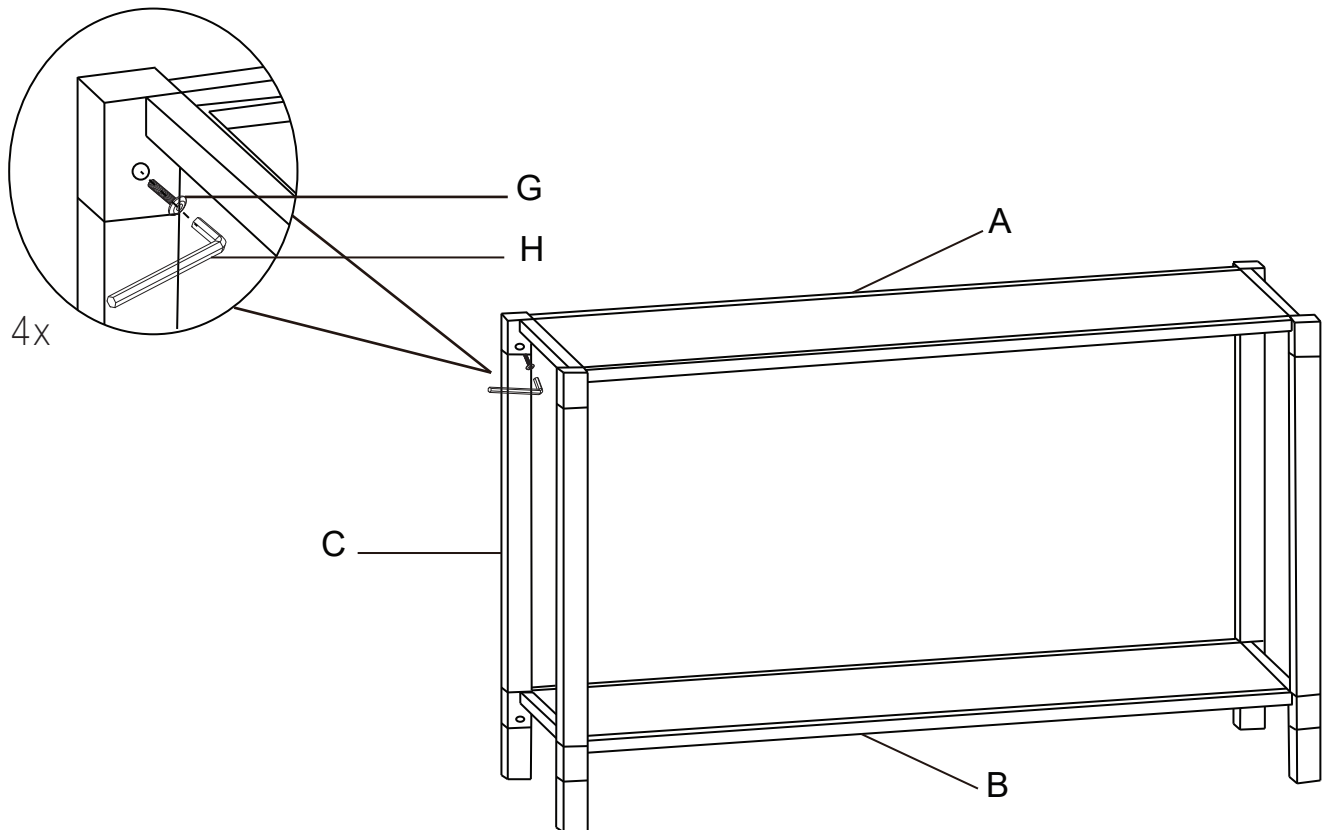
We're here to help - contact our Customer Service team by emailing [cs@ellaandross.com](mailto:cs@ellaandross.com) for questions or concerns.

| PARTS INVENTORY |  |     |
|-----------------|--|-----|
| ID              | DESCRIPTION  | QTY |
| <b>A</b>        | FRAME TOP          | 1   |
| <b>B</b>        | FRAME BOTTOM       | 1   |
| <b>C</b>        | LEGS               | 4   |
| <b>D</b>        | GLASS              | 1   |
| <b>E</b>        | MIRROR             | 1   |
| <b>F</b>        | ANTI-SLIP BUMPERS  | 8   |
| <b>G</b>        | SCREW              | 8   |
| <b>H</b>        | ALLEN KEY          | 1   |

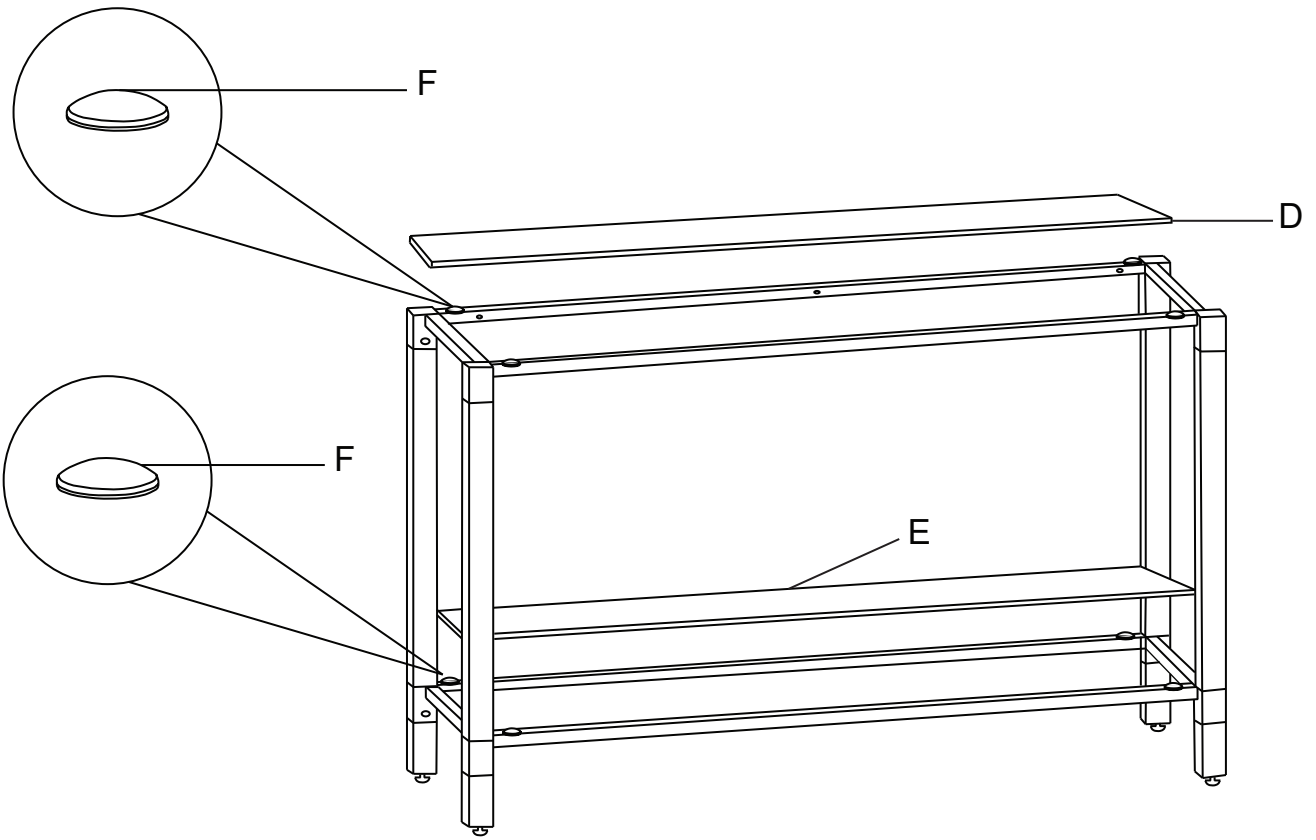
1



2



3



4

